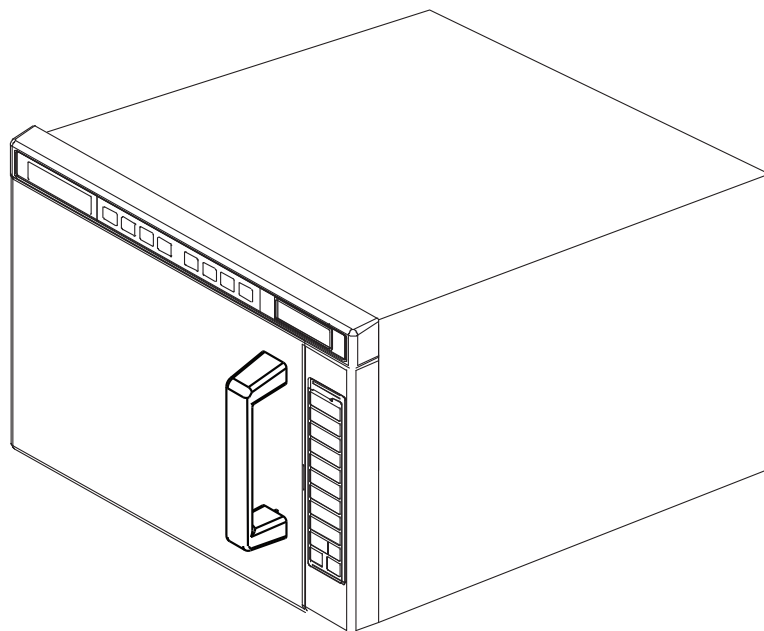


Owner's Manual

FOR COMMERCIAL USE ONLY



Commercial Combination Oven (Microwave and Convection)

Keep these instructions for future reference. If the equipment changes ownership, be sure this manual accompanies equipment.

Contents

Model Identification	2
Grounding Instructions	3
Installation	3
Display and Features	4
Programming.....	7
Convection Cooking	8
Combination Cooking (microwave and convection)	9
Microwave Cooking (microwave only).....	10
User Options	11
USB Flash Drive Operating Instructions .	12
User Maintenance	13
Service Codes.....	13
Care and Cleaning	14
Before Calling Service.....	15

Model Identification

When contacting ACP, provide product information. Product information is located on oven serial plate.

Record the following information:

Model Number: _____

Serial or S/N Number: _____

Date of installation: _____

Dealer's name and address: _____

Any questions or to locate an authorized ACP servicer, call ACP ComServ Service Support.

–**Inside** the U.S.A. or Canada, call toll-free at 866-426-2621.

–**Outside** the U.S.A. and Canada, call 319-368-8120.

–**Email:** Commercialservice@acpsolutions.com.

Warranty service must be performed by an authorized ACP servicer. ACP also recommends contacting an authorized ACP servicer, or ACP ComServ Service Support if service is required after warranty expires.

Installation

Unpacking Oven

- Inspect oven for damage such as dents in door or inside oven cavity.
- Report any dents or breakage to source of purchase immediately.
Do not attempt to use oven if damaged.
- Remove all materials from oven interior.
- If oven has been stored in extremely cold area, wait a few hours before connecting power.

Radio Interference

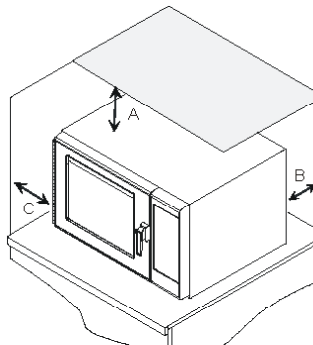
Microwave operation may cause interference to radio, television, or a similar oven. Reduce or eliminate interference by doing the following:

- Clean door and sealing surfaces of oven according to instructions in *Care and Cleaning* section.
- Place radio, television, etc. as far as possible from oven.
- Use a properly installed antenna on radio, television, etc. to obtain stronger signal reception.

Oven Placement

- Do not install oven next to or above source of heat, such as pizza oven or deep fat fryer. This could cause microwave oven to operate improperly and could shorten life of electrical parts.
- Do not block or obstruct oven filter. Allow access for cleaning.
- Install oven on level countertop surface.
- If provided, place warning label in a conspicuous place close to microwave oven.
- Outlet should be located so that plug is accessible when oven is in place.

Oven Clearances



- A—For North American (UL/CSA) models, allow at least 2" (5.1 cm) of clearance around top of oven. For International (50 Hz) models, allow at least 7" (17.8 cm) of clearance around top of oven. Proper air flow around oven cools electrical components. With restricted air flow, oven may not operate properly and life of electrical parts is reduced.
- B—Allow at least 2 9/16" (6.5 cm) between air discharge on back of oven and back wall.
- C—Allow at least 1 1/4" (3 cm) of clearance around sides of oven.

WARNING

To avoid risk of electrical shock or death, this oven must be grounded and plug must not be altered.



Earthing Instructions Oven MUST be grounded.

Grounding reduces risk of electric shock by providing an escape wire for the electric current if an electrical short occurs. This oven is equipped with a cord having a grounding wire with a grounding plug. The plug must be plugged into an outlet that is properly installed and grounded.

Consult a qualified electrician or servicer if grounding instructions are not completely understood, or if doubt exists as to whether the oven is properly grounded.

Do not use an extension cord.

If the product power cord is too short, have a qualified electrician install a three-slot receptacle. This oven should be plugged into a separate circuit with the electrical rating as provided in product specifications. When the combination oven is on a circuit with other equipment, an increase in cooking times may be required and fuses can be blown.

External Equipotential

Earthing Terminal (*export only*) Equipment has secondary earthing terminal. Terminal provides external earthing connection used in addition to earthing prong on plug. Located on outside of oven back, terminal is marked with symbol shown below.



Display and Features



Oven Features

Standby shows in display after oven door has been opened and closed, or after turning oven OFF with the Preheat On/Off pad.

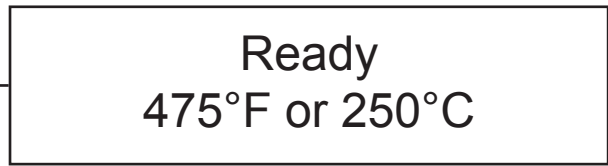
Standby
Or Press Preheat

Oven Preheating
475°F or 250°C

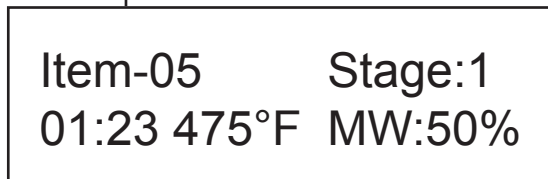
Oven Preheating and set temperature shows in display after pressing Preheat On/Off pad. (example of 475°F shown)

Display and Features (cont'd)

Ready and set temperature displays after pressing Preheat On/Off pad. Ready indicates the oven is up to temperature. (example of 475°F shown)



Indicates oven is in a preprogrammed cooking program



Cooking information shows in display after pressing a single (or double) digit pad while in Ready Mode.

Time left in cooking program

Cooking temperature
475°F or 250°C

Percentage of microwave power

Indicates oven is in a manual cooking program

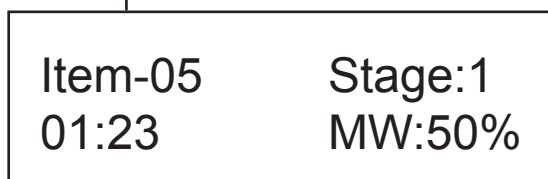


Time left in cooking condition

Cooking temperature
475°F or 250°C

Indicates percentage of microwave power

Oven indicates it's in a Microwave Only mode prior to selection

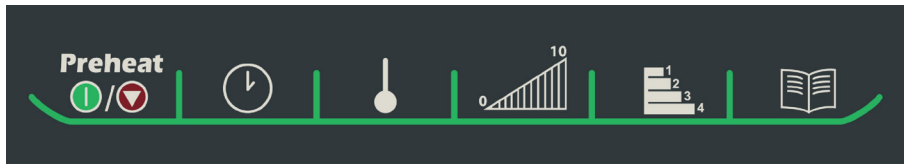


Cooking information shows in display after pressing a single (or double) digit pad while in Ready Mode.

Time left in cooking program

Percentage of microwave power

Display and Features (cont'd)



Cooking Display



Start pad

The Start pad is used to begin a manual time entry cooking cycle.



Stop/Reset pad

The Stop/Reset pad stops a cooking sequence in progress, clears out any remaining time, and also ends a programming or user option cycle. When the Stop/Reset pad is used to end a programming or option change, the changes are discarded.

Temperature warnings

The combination oven has two distinct temperature warnings. Warnings sound with a three beep signal when a programmed pad is pressed. Warnings are:

- A warning when the preheat temperature does not match the preprogrammed temperature of a cooking condition.
- A warning when the actual oven cavity temperature is not to preheat temperature, such as when the oven is first started.

To override the warning and begin a cooking cycle, press the Start pad. To turn off warnings, see *User Options* section.

DISPLAYS

DESCRIPTION

**OVEN PREHEATING
475°F**

Oven Preheating 475°F or 250°C displays when oven is turned on and is warming up to the selected preheat temperature. **Oven Preheating** also flashes when a cooking condition can be started or programmed.

**READY
475°F**

Ready 475°F or 250°C displays when oven has reached preheat temperature and is ready to cook. **Ready** also flashes when a cooking condition can be started or programmed.

Note: Oven will shutdown after two hours of inactivity.

00:00

Displays cooking time. If stage cooking is programmed, total cooking time is displayed

MW 50%

MW 50% displays the current microwave power level. 100% is the highest setting, and 0% is lowest (no microwave energy used).

ITEM-05

ITEM-05 displays the single or double digit entry of a programmed cooking condition when using a programmed pad.

STAGE 1

Stage 1 displays the stage number (1 through 4) the oven is at in the cooking condition

STANDBY

STANDBY displays when oven is turned off, and also after the oven is plugged in, the door is opened, and then shut.

Programming Display

DISPLAYS

DESCRIPTION

Enter Program to Add/Review:

Displays when oven is in programming mode for single digit or double digit memory.

STAGE 1

Displays stage number during cooking or when programming a specific cooking stage. Stage number (1 through 4) indicates the stage that is being used.

USB Display

DISPLAYS







DESCRIPTION

USB

Displays when keypad 5 is pressed and held and transfer to or from USB flash drive is ready



Programming Pads

Oven is shipped from the factory for single digit programming. To change the oven default to double digit programming, see *User Option* section. To program the amount of time, power level, or temperature setting for a pad:

- Oven must be ON.
 - Press Preheat On/Off pad.
 - Oven Preheating 475°F or 250°C** shows in display with **Oven Preheating** flashing. 
- Oven reaches preheat temperature.
 - Ready 475°F or 250°C** shows in display with **Ready** flashing. Press Program Save pad.
 - Programming mode begins. 
 - Enter Program to Add/Review:** shows in display.
- Press pad to be programmed or reprogrammed.
 - Display will change to review all settings for the pad.
 - The pad number that is being programmed displays beside the word **ITEM**.
- Press Time Entry pad to program amount of cooking time.
 - Enter desired cooking time by using numeric key pads.
 - The total microwave cooking time (all stages combined) is 20 minutes. 
- Press Temp Entry pad to program the cooking temperature.
 - Enter desired convection temperature by using numeric pads. 
- Press Power Level pad to program level of microwave power.
 - For a lower microwave power, press pads 1 (for 10%) through 9 (for 90%). **0 turns off the microwave power and cooking is by convection only.** 
 - Press any numeric key pad twice to set power level back to 100%.
- Press Program Save pad to save the program changes.
- To discard changes, press Stop/Reset pad. 

Programming Multiple Stages

Stage cooking allows consecutive cooking cycles without interruption. Up to four different cooking cycles can be programmed into a memory pad. To use stage cooking:

- Follow steps 1 through 6 above.
- Press Stage pad.
 - This will begin programming for the next cooking stage. 
 - Display indicates stage to be programmed.
 - Enter cook time, temp and power level as in steps 4, 5 and 6.
 - To enter another cooking stage for that pad, press Stage pad again.
 - Up to four different stages can be programmed.
- Press Program Save pad to save the program and changes. 
- To discard changes, press Stop/Reset pad before pressing Program Save pad.

Programming Preheat Setting

The convection temperature setting can be set between 150°F to 475°F (65°C to 250°C). It is recommended to set the preheat setting to the most commonly used temperature for that oven. The factory default preheat setting is 475°F (250°C).

To program the preheat setting:

- Turn oven on to set preheat.
- Press Program Save pad.
- Press Temp Entry pad.
- Enter desired temperature by using the numeric key pads.
 - Temperature must be entered in 5°F (5°C) increments. If not, the temperature will automatically change to the nearest 5°F (5°C).
- Preheat temperature is changed.



What is stage cooking?

Stage cooking enables several different cooking cycles, or stages, to be used consecutively without repeated input from the user. Stage cooking can be set to defrost food initially, then cook it, and then keep the food warm until serving time.

Example of Stage Cooking Conditions

	Stage 1	Stage 2	Stage 3	Stage 4
Temp	450°F	450°F	450°F	450°F
Power	100%	30%	0	50%
Time	2:30	1:30	1:30	1:00

Convection Cooking



CAUTION

To avoid risk of burns, handle utensils, rack, and door with care. Allow oven, utensils, and rack to cool before cleaning. Oven, utensils, and rack, become hot during operation.

To operate the oven for convection cooking only, you can use preprogrammed pads or manual time entry. **The following instructions are for convection cooking only.** For combination cooking, see that section.

Convection Cooking

Convection cooking utilizes both a convection element and fan to evenly distribute heated air throughout the oven cavity. By circulating air, no hot or cold spots occur, creating a consistent temperature envelope around the food. These consistent temperatures cook food evenly and reduces cooking time. Oven will always operate in convection mode.

Convection Cooking with Programmed Pads

1. Press Preheat On/Off pad to start the oven.
 - Oven begins a preheat cycle.
 - **Oven Preheating 475°F (250°C)** shows in display.
 - To change preheat temperature, see *Programming*.
2. Oven reaches preheat temperature.
 - **Ready 475°F (250°C)** displays.
3. Press selected pad, preprogrammed to 0% microwave.
 - If using single digit programming, press pad and oven begins automatically.
 - For double digit programming, press pads in proper sequence and oven begins automatically.
4. Cooking cycle begins
 - Preprogrammed cooking program, total cooking time, cooking temperature, percentage of microwave power, and stage are all displayed.
5. Oven finishes cooking sequence
 - An end of cycle beep signals the end of the cooking cycle.
 - **Done** shows in display.
 - **Oven interior and cooking dish will be hot.**
6. Press Preheat On/Off pad to shut off oven.



Convection Cooking Using Manual Cooking Operation

1. Press Preheat On/Off pad to start the oven.
 - Oven begins a preheat cycle.
 - **Oven Preheating 475°F (250°C)** shows in display.
 - To change preheat temperature, see *Programming*.
2. Oven reaches preheat temperature.
 - **Ready 475°F (250°C)** displays.
3. Place food in the oven.
4. Press Time Entry pad.
 - Enter desired cooking time by using the numeric keypad.
5. Press Temp Entry pad if cooking temperature differs from preheat temperature.
 - Enter the new temperature.
6. Press Power Level pad.
 - Press pad 0 (for 0%) microwave. **0 turns off the microwave power and cooking is by convection only.**
7. If stage cooking is desired, press Stage pad and repeat steps 4, 5, and 6.
 - Up to 4 different stages can be programmed.
8. Press the Start pad to begin the cooking cycle.



Combination Cooking (microwave and convection)



CAUTION

To avoid risk of burns, handle utensils, rack, and door with care. Allow oven, utensils, and rack to cool before cleaning. Oven, utensils, and rack, become hot during operation.

To operate the oven for combination cooking, you can use preprogrammed pads or manual time entry. **The following instructions are for combination cooking only.** For convection only cooking, see that section.

Combination Cooking With Preprogrammed Pads

1. Press Preheat On/Off pad to start the oven.
 - Oven begins a preheat cycle.
 - **Oven Preheating 475°F (250°C)** shows in display.
 - To change preheat temperature, see *Programming*.
2. Oven reaches preheat temperature.
 - **Ready 475°F (250°C)** displays.
3. Press selected pad.
 - If using single digit programming, press pad and oven begins automatically.
 - For double digit programming, press pads in proper sequence and oven begins automatically.
4. Cooking cycle begins
 - Preprogrammed cooking program, total cooking time, cooking temperature, percentage of microwave power, and stage are all displayed.
5. Oven finishes cooking sequence
 - An end of cycle beep signals the end of the cooking cycle.
 - **Done** shows in display.
 - **Oven interior and cooking dish will be hot.**
6. Press Preheat On/Off pad to shut off oven.



Combination Cooking

The combination mode uses both the speed of **microwave energy** and browning of **convection** cooking to yield fast, high quality food.

- Microwave cooking uses high frequency energy waves to heat the food. When cooking, microwave energy causes food molecules to move rapidly. This rapid movement between the food molecules creates heat, which cooks the food. POWER displays when oven is generating microwave energy for the current cycle.
- Convection cooking uses the selected oven temperature to bake and brown foods. The circulating air surrounds food in an envelope of evenly heated air.
- Oven will maintain a minimum convection temperature of 150°F (65°C) to ensure drier air and more even cooking.

Combination Cooking Using Manual Cooking Operation

1. Press Preheat On/Off pad to start the oven.
 - Oven begins a preheat cycle.
 - **Oven Preheating 475°F (250°C)** shows in display.
 - To change preheat temperature, see *Programming*.
2. Oven reaches preheat temperature.
 - **Ready 475°F (250°C)** displays.
3. Press Time Entry pad.
 - Enter desired cooking time by using the numeric keypad.
4. Press Temp Entry pad if cooking temperature differs from preheat temperature.
 - Enter the new temperature.
5. Press Power Level pad.
 - For a lower microwave power, press pads 1 (for 10%) through 9 (for 90%). **0 turns off the microwave power and cooking is by convection only.**
 - Press numeric keypad for desired level. Press any numeric key pad twice to set power level back to 100%.
6. If stage cooking is desired, press Stage pad and repeat steps 4, 5, and 6.
 - Up to 4 different stages can be programmed.
7. Press the Start pad to begin the cooking cycle.



Microwave Cooking (microwave only)



⚠ CAUTION

To avoid risk of burns, handle utensils, rack, and door with care. Allow oven, utensils, and rack to cool before cleaning. Oven, utensils, and rack, become hot during operation.

To operate the oven for microwave cooking, you can use preprogrammed pads or manual time entry. **The following instructions are for microwave cooking only.** For convection only or combination cooking, see that section.

Note: Microwave Only option must be enabled from Options Settings on User Options page 11.

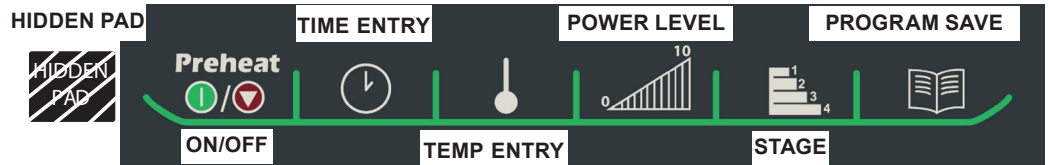
Microwave Cooking With Preprogrammed Pads

1. Place food inside oven and close door.
2. Press selected pad.
 - If using single digit programming, press pad and oven begins automatically.
 - For double digit programming, press pads in proper sequence and oven begins automatically.
3. Cooking cycle begins
 - Preprogrammed cooking program, total cooking time, cooking temperature, percentage of microwave power, and stage are all displayed.
4. Oven finishes cooking sequence
 - An end of cycle beep signals the end of the cooking cycle.
 - **Done** shows in display.

Microwave Cooking Using Manual Cooking Operation

1. Place food inside oven and close door.
2. Press Time Entry pad.
 - Enter desired cooking time by using the numeric keypad.
3. Press Power Level pad .
 - For a lower microwave power, press pads 1 (for 10%) through 9 (for 90%).
 - Press numeric key pad for desired level. Press any numeric key pad twice to set power level back to 100%.
4. If stage cooking is desired, press Stage pad and repeat steps 2, and 3.
 - Up to 4 different stages can be programmed.
5. Press the Start pad to begin the cooking cycle.





Changing user options

Options such as single or double digit programming, beep volume, and maximum cooking time can be changed to suit individual preferences.

Didn't like an option?

Factory settings are marked in bold. To change the oven back to the factory setting, simply select the option that is marked in bold.



My changes weren't saved.

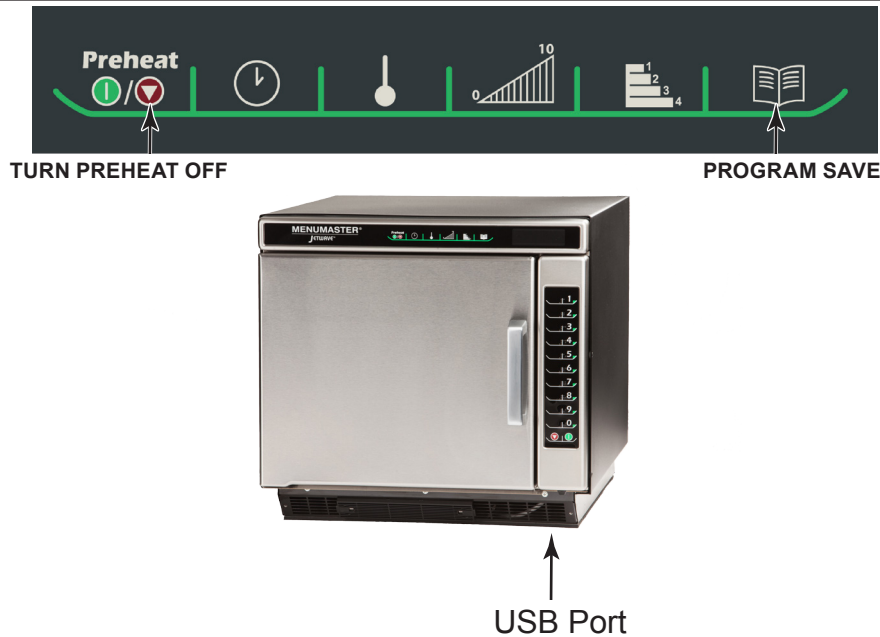
In order for any changes to be saved, the Program Save pad must be pressed after selecting an option. Pressing the Stop/Reset pad will not save

To change options oven STANDBY must display:

1. Press hidden pad.
 - Pad is unmarked and located to the direct left of Preheat On/Off pad.
 - Nothing will be displayed when hidden pad is pressed.
2. Press Program Save pad.
 - The first user option will display. Oven is now in options mode.
3. Press number pad that controls option to be changed.
 - See table below for options.
 - Current option will display.
4. Press numeric pad again to change the option.
 - Each time pad is pressed, option will change.
 - Match code displayed with code for desired option.
 - To change additional options, repeat steps 3 and 4.
 - Changes take affect after pad is pressed. Press Program Save to save.
5. Press Stop/Reset pad to return to STANDBY, or open and close oven door.

Numbered Pads	Display	Options (Factory Settings in Bold)
1 Double Digit Entry	Disabled Enabled	Allows 10 (0-9) preprogrammed pads. Allows 100 (00-99) preprogrammed pads.
2 Manual Time Entry	Disabled Enabled	Manual time entry/cooking not allowed. Manual time entry/cooking allowed.
3 Reset on Door Open	Disabled Enabled	Opening oven door does not reset oven back to ready mode. Opening oven door resets the oven back to ready mode.
4 Keybeep	Keybeep ON Keybeep OFF	Keys beep when pressed (keybeep on). Keys do not beep when pressed (keybeep off).
5 Keybeep Volume	OFF LOW MEDIUM HIGH	Keybeep volume OFF. Keybeep volume LOW. Keybeep volume MEDIUM. Keybeep volume HIGH.
6 End of Cook Signal	Solid Beep 3 Second Beep 4 Beeps Once 4 Beeps Repeating	Food done signal is a continuous beep until reset by user. Food done signal is a three second beep. Food done signal is four beeps, continuously. Food done signal is four beeps, four times.
7 Keypad Active	15 SECONDS 30 SECONDS 60 SECONDS 120 SECONDS ALWAYS	Keypad time entry window is 15 seconds. Keypad time entry window is 30 seconds. Keypad time entry window is one minute. Keypad time entry window is two minutes. Keypad time entry window is always active.
8 Preheat Warnings	Disabled Program Warning Only Preheat Warning Only Both	Both temperature warnings off. Warning only when preheat temperature does not match preprogrammed temperature. Warning only when actual oven cavity temperature is not to preheat temperature. Both temperature warnings on.
TEMP PAD Temperature Scale	FAHRENHEIT CELSIUS	Temperatures are displayed in °F for 60 Hz models. Temperatures are displayed in °C for 50 Hz models.
STAGE PAD CLEAN FILTER Message Frequency	Disabled Weekly Monthly Quarterly	Oven will not display Clean Filter. Oven will display Clean Filter every seven (7) days. Oven will display Clean Filter every thirty (30) days. Oven will display Clean Filter every ninety (90) days.
POWER LEVEL PAD MICROWAVE ONLY	Disabled Enabled	Oven will not operate in microwave only mode. Oven will operate in microwave only mode.

USB Flash Drive Operating Instructions



To program the oven using the USB Flash Drive:


Oven must be in Standby mode (Preheat must be OFF)

Note: A standard USB flash drive is compatible with oven.

1. Remove protective cover from bottom of vertical keypad.
2. Insert the USB Flash Drive into the slot located below the vertical keypad.
3. Open the oven door.
4. Press and hold the **5 pad** until USB appears in the display.
5. To transfer programming **FROM** the USB flash drive to the oven, press the **1 pad**. "USb TO OVEN" will appear in display.

OR

To transfer programming **TO** the USB flash drive from the oven, press the **2 pad**. "OVEN TO USb" will appear in display.

6. Press **START pad** , on vertical keypad to begin transfer.
7. Oven displays "LOADING" in the display for approximately 10 seconds.
8. When the transfer is complete the display will beep and display "Done" and number of programs saved.
9. Press any pad to clear the display or shut the door and the display will read "READY".

Error Codes:

1. **NO USb:** Remove flash drive from USB and reinsert flash drive into USB and retry.
2. **RESET OVEN:** Unplug oven from outlet and plug in oven and retry transfer.

Service codes

During operation, the oven may display a service code. **If this should occur:**

1. Unplug oven and leave unplugged for approximately one minute. Plug oven in and see if code reappears.
 - If code does not reappear, continue normal use with the oven.
2. If service code reappears, write down the service code displayed and contact the nearest authorized ACP Servicer.
 - Do not use oven until contacting the ACP Servicer.

ERROR!
Error Code: 2
(example)

Care and Cleaning

Clean oven frequently to maximize oven life, performance, and efficiency. A dirty oven cooks inefficiently because moisture, spills, and grease absorb convection and microwave energy.

WARNING

To avoid electrical shock which can cause severe personal injury or death, unplug power cord or open circuit breaker to oven before cleaning oven.



CAUTION

To prevent burns, handle utensils, rack, and door with care. Allow oven, utensils, rack to cool before cleaning. Oven, utensils, and rack, become hot during operation.

FOR A NEW OVEN: before using it the first time, spray damp towel with ACP Oven Shield and wipe all interior surfaces. Do not remove Oven Shield Oven Protectant (Item#SH10). Turn oven on and pre-heat to start cooking.

I. Daily Cleaning Recommendations

Recommended Cleaning Supplies: damp towel, plastic scouring pad, ACP Oven Cleaner (Item #CL10) and ACP Oven Shield Oven Protectant (Item #SH10). Avoid spraying caustic cleaners or those containing ammonia, phosphates, chlorine, sodium or potassium hydroxide (lye) directly on surfaces.



1. Shut oven off. Press the Preheat On/Off pad. Allow oven to cool down to 200°F(95°) or lower (approximately 10-15 minutes with the door open and 45-60 minutes with the door closed).



2. Remove rack and accessories. Wash with warm soapy water and allow to air dry while cleaning oven interior. Clean pizza stone by using a plastic scraper and a damp cloth only.



3. Spray oven interior. Remove baked on particles using a plastic scraper. Wear gloves and safety glasses. Spray oven door, sides and floor with CL10 Oven Cleaner. Allow to soak for 2-5 minutes.



4. Clean and wipe oven interior. Clean the oven using a composite scouring pad. Wipe the oven interior using a damp clean towel, rinse towel and wring dry. Repeat 2-3 times to remove remaining oven cleaner and particles from the oven. If needed, repeat steps 3 and 4.



5. Spray oven shield. When oven is clean, spray cavity with SH10 Oven Shield and wipe all interior surfaces. Place rack back in oven. Do not remove Oven Shield.

6. Clean oven exterior. Clean exterior door and other surfaces with clean cloth, sponge or composite pad, and warm soapy water.

II. Weekly, Monthly or Quarterly Cleaning: Clean Air Filter or Grease Tray



Filter and grease tray are located below oven door. Filter is magnetic, remove filter for cleaning and wipe surrounding louvers. Wash filter using a sponge or composite pad and warm soapy water. Pull grease tray out, drain grease and cleaning using a sponge or composite pad and warm soapy water. Rinse and dry thoroughly.

- Remove food from oven at end of cycle.
- Wear protective rubber gloves when cleaning oven.
- Remove baked on particles using a plastic scraper.
- Avoid spraying caustic cleaners or those containing ammonia, phosphates, chlorine, sodium or potassium hydroxide(lye) directly on oven.
- Use only accessories that are both high temperature oven-safe in the oven.
- DO NOT use a water-pressure type cleaning system.
- DO NOT cook foods contained in plastic wrap.
- DO NOT use metal foil in the oven. You may use drip tray accessory (DR10) to line oven.
- Metal pans with no more than 1 inch deep are acceptable. Assure pans do not contact oven or door surfaces during cooking.

For any questions, please refer to MSDS of oven cleaner or contact ACP, Inc. ComServ at 866-426-2621

Before Calling for Service



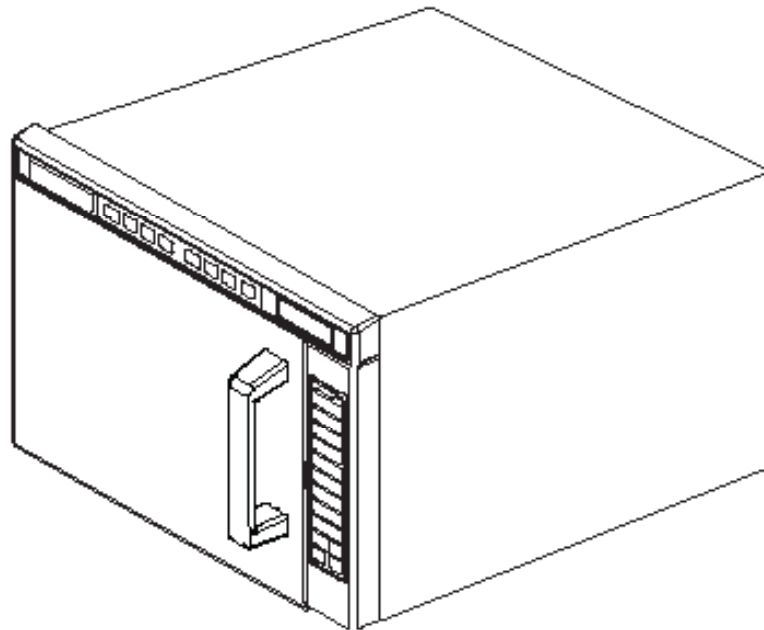
WARNING

To avoid electrical shock which can cause severe personal injury or death, do not remove outer case at any time. Only an authorized servicer should remove outer case.

PROBLEM	Possible Cause
Oven does not operate.	<p>Confirm oven is plugged into dedicated circuit.</p> <p>Confirm oven is on grounded circuit. (Contact electrician to confirm)</p> <p>Check fuse or circuit breaker.</p>
Oven operates intermittently or HOT shows in display.	<p>Check air filter and discharge areas for obstructions.</p>
If oven does not accept entries when pad is pressed.	<p>Make sure oven is on and preheated.</p> <p>Open and close oven door. Press pad again.</p>
<p>If oven malfunctions or shows:</p> <p>ERROR!</p> <p>Error Code: 1</p> <p>(example)</p>	<p>Oven control is equipped with a self-diagnostic system. Self-diagnostic system alerts you if there is an error or problem. When electronic control signals a problem, follow steps listed below.</p> <ol style="list-style-type: none"> 1. Record number shown. (example of Error Code: 1 shown) 2. Unplug oven, wait for 1 minute, and plug in oven. <ul style="list-style-type: none"> • Disconnecting electrical supply may eliminate service code. If failure continues, contact an authorized servicer.
Oven fan turns on while oven is not preheating or cooking.	<p>Normal operation.</p>

Bedienungsanleitung

NUR FÜR GEWERBLICHE ZWECKE



**Kommerzieller Kombi-Ofen
(Mikrowelle und Heißluft)**
Bewahren Sie diese Anleitung für eine zukünftige Bezugnahme auf. Wenn das Gerät den Besitzer wechselt, sollte dieses Handbuch der Ausrüstung beiliegen.

Inhalt

Modellbezeichnung	2
Erdung.....	3
Installation	3
Display und Funktionen.....	4
Programmierung	7
Heißluftgaren.....	8
Kombiniertes Garen (Mikrowelle und Heißluft)	9
Mikrowellengaren (nur Mikrowelle)	10
Benutzeroptionen	11
Betrieb über USB-Flash-Laufwerk	12
Wartung durch den Benutzer	13
Service-Codes.....	13
Pflege und Reinigung	14
Vor dem Anruf beim Kundendienst.....	15

Original-Anweisungen

Modellkennzeichnung

Halten Sie bei einem Anruf bei ACP bitte die Produktinformationen bereit. Die Produktinformationen finden Sie auf dem Schild mit der Seriennummer des Ofens.

Notieren Sie folgende Informationen:

Modellnummer: _____

Seriennummer (oder S/N): _____

Datum der Installation: _____

Name und Adresse des Händlers: _____

Wenden Sie sich mit Fragen zum Produkt oder nach autorisierten ACP-Servicefachkräften an den ACP ComServ Kundendienst.

– **Innerhalb** der USA oder Kanada gebührenfrei unter 866-426-2621.

– **Außerhalb** der U.S.A. und Kanada unter 319-368-8120.

– **E-Mail:** CommercialService@acpsolutions.com.

Reparaturen im Rahmen der Garantie müssen von einem autorisierten ACP-Servicefachmann durchgeführt werden. ACP empfiehlt, sich auch bei Reparaturen nach Ablauf des Garantiezeitraums an einen autorisierten ACP-Servicefachmann oder den ACP ComServ Kundendienst zu wenden.

Auspacken des Ofens

- Überprüfen Sie den Ofen auf Beschädigungen, wie Beulen an der Tür oder im Garraum.
- Melden Sie dem Händler unverzüglich alle Dellen und Bruchschäden. **Benutzen Sie den Ofen nicht, wenn er beschädigt ist.**
- Entfernen Sie alle Materialien aus dem Garraum.
- Wenn der Ofen an einem extrem kalten Ort gelagert war, warten Sie einige Stunden, bevor Sie in an das Stromnetz anschließen.

Funktstörungen

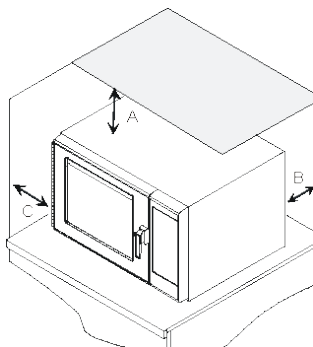
Der Mikrowellenbetrieb kann zu Störungen des Radio-/Fernsehempfangs oder an ähnlichen Öfen führen. Gehen Sie wie folgt vor, um Störungen zu reduzieren oder zu vermeiden:

- Reinigen Sie die Tür und die Dichtflächen des Ofen entsprechend den Anweisungen im Abschnitt *Pflege und Reinigung*.
- Platzieren Sie Radio, Fernsehen, usw. möglichst weit vom Ofen entfernt.
- Verwenden Sie eine ordnungsgemäß installierte Radio-/Fernsehantenne, um den Signalempfang zu optimieren.

Aufstellung des Ofens

- Installieren Sie den Ofen nicht neben oder über einer Wärmequelle wie einem Pizzaofen oder einer Friteuse. Dies kann zu Störungen des Mikrowellenbetriebs führen und die Lebensdauer der elektrischen Teile verkürzen.
- Ofenfilter nicht blockieren oder verstellen. Ermöglichen Sie den Zugang zum Reinigen.
- Stellen Sie den Ofen auf eine gerade Arbeitsfläche.
- Bringen Sie neben dem Mikrowellenofen gut sichtbar ein Warnschild an, falls vorhanden.
- Der Anschluss sollte so positioniert sein, dass der Stecker bei installiertem Ofen gut zugänglich ist.

Abstandsmaße des Ofens



A—Achten Sie bei nordamerikanischen Modellen (UL/CSA) auf einen Mindestabstand oberhalb des Ofen von mindestens 5,1 cm. Achten Sie bei internationalen Modellen (50 Hz) auf einen Mindestabstand oberhalb des Ofens von 17,8 cm. Eine gute Luftzirkulation um den Ofen kühlt die Elektroteile. Bei einem eingeschränkten Luftfluss funktioniert der Ofen möglicherweise nicht korrekt und die Lebensdauer der Elektroteile verkürzt sich.

B—Achten Sie zwischen Luftauslass an der Ofenrückseite und der Rückwand auf einen Mindestabstand von 6,5 cm.

C—Achten Sie auf einen Seitenabstand von mindestens 3 cm.



WARNUNG

Um die Gefahr von Stromschlägen oder Tod zu vermeiden, muss dieser Ofen geerdet werden und der Stecker darf nicht verändert werden.



Erdung

Der Ofen muss geerdet werden.

Durch einen Fluchtdraht, über den der Strom bei einem Kurzschluss

abgeleitet wird, reduziert die Erdung das Risiko eines Stromschlages. Dieser Ofen verfügt über ein Elektrokabel mit einem Erdungsleiter und einem Schuko-Stecker. Der Stecker muss an eine ordnungsgemäß installierte und geerdete Steckdose angeschlossen werden.

Fragen Sie einen qualifizierten Elektriker oder Servicefachmann, falls die Erdungsanleitungen unverständlich sind oder Zweifel an der ordnungsgemäßen Erdung des Ofens bestehen.

Verwenden Sie kein Verlängerungskabel.

Wenn das Elektrokabel des Produkts zu kurz ist, ist von einem qualifizierten Elektriker eine Schuko-Steckdose zu installieren. Dieser Ofen sollte in einem separaten Stromkreis angeschlossen werden, dessen Anschlussleistung den Produktspezifikationen entspricht. Wenn der Kombi-Ofen zusammen mit anderen Geräte an einem Stromkreis angeschlossen ist, kann dies die Garzeit verlängern und zum Durchbrennen der Sicherungen führen.

Externe Potenzialausgleichsschiene (nur Export)

Das Gerät verfügt über eine zusätzliche Erdungsklemme. Die Klemme bietet einen externen Erdungsanschluss zusätzlich zum Erdungsstift am Stecker. Die Klemme befindet sich außen an der Ofenrückseite und ist mit folgendem Symbol gekennzeichnet.



Display und Funktionen



Ofenfunktionen

Nach dem Öffnen und Schließen der Ofentür oder nach dem Ausschalten des Ofens über die Vorheiz-Taste wird "Standby" angezeigt.

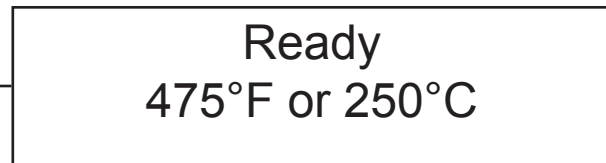
Standby
Or Press Preheat

Oven Preheating
475°F or 250°C

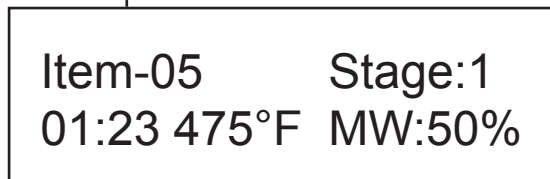
Nach dem Drücken der Vorheiz-Taste erscheint im Display "Oven Preheating" (Ofen wird vorgeheizt) und die eingestellte Temperatur. (im Beispiel 475°F)

Display und Funktionen (Fortsetzung)

Nach Drücken der Vorheiz-Taste wird "Ready" (Bereit) und die eingestellte Temperatur angezeigt. "Ready" (Bereit) zeigt an, dass der Ofen die Temperatur erreicht hat. (im Beispiel 475°F)



Zeigt an, dass sich der Ofen in einem vorprogrammierten Garprogramm befindet.



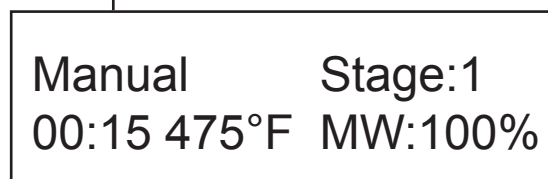
Nach Drücken einer einstelligen (oder zweistelligen) Zifferntaste im Bereitschaftsmodus werden die Garinformationen angezeigt.

Verbleibende
Zeit im
Garprogramm

Gartemperatur
475°F oder
250°C

Mikrowellenleistung
in Prozent

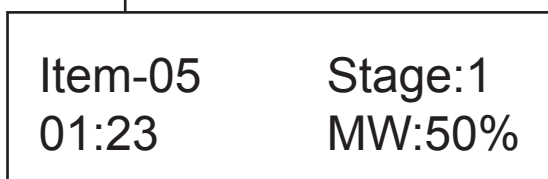
Zeigt an, dass sich der Ofen in einem manuellen Garprogramm befindet



Verbleibende Garzeit
Gartemperatur
475°F oder
250°C

Gibt die
Mikrowellenleistung
in Prozent an

Vor der Auswahl zeigt der Ofen an, dass er sich in einem reinen Mikrowellen-Modus befindet

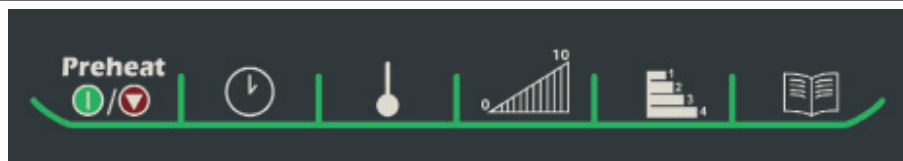


Nach Drücken einer einstelligen (oder zweistelligen) Zifferntaste im Bereitschaftsmodus werden die Garinformationen angezeigt.

Verbleibende
Zeit im
Garprogramm

Mikrowellenleistung
in Prozent

Display und Funktionen (Fortsetzung)



 **Start-Taste**
Über die Start-Taste wird ein manuell eingegebener Garzyklus gestartet.

 **Stopp/Reset-Taste**
Mit der Stopp/Reset-Taste wird ein laufender Garvorgang beendet und die Restzeit gelöscht, ebenso wie das Programm oder die Benutzeroption. Wenn ein Programm oder eine Benutzeroption über die Stopp/Reset-Taste beendet wird, werden die Änderungen verworfen.

Temperaturwarnungen

Der Kombi-Ofen gibt zwei unterschiedliche Temperaturwarnungen aus. Beim Drücken einer programmierten Taste ertönen drei Pieptöne. Es gibt folgende Warnungen:

- Eine Warnung, wenn die Vorheiztemperatur nicht mit der vorprogrammierten Temperatur eines Garprogramms übereinstimmt.
- Eine Warnung, wenn die tatsächliche Temperatur im Garraum nicht der Vorheiztemperatur entspricht, z.B. bei ersten Einschalten des Ofens.

Drücken Sie die Start-Taste, um die Warnung aufzuheben und einen Garzyklus zu beginnen. Wie sie die Warnungen ausschalten, erfahren Sie im Abschnitt *Benutzeroptionen*.

Garanzeige

ANZEIGEN

BESCHREIBUNG

OVEN PREHEATING
475°F

Oven Preheating 475°F or 250°C wird angezeigt, wenn der Ofen eingeschaltet und auf die eingestellte Temperatur vorgeheizt wird. **Oven Preheating** blinkt, wenn ein Garprogramm gestartet oder programmiert werden kann.

READY
475°F

Ready 475°F or 250°C wird angezeigt, wenn der Ofen die Vorheiztemperatur erreicht hat und kochbereit ist. **Ready** blinkt, wenn ein Garprogramm gestartet oder programmiert werden kann.

Hinweis: Der Ofen schaltet sich nach zwei Stunden Inaktivität ab.

00:00

Zeigt die Garzeit an. Bei einem stufenweisen Garprogramm wird die Gesamtgarzeit angezeigt.

MW 50%

MW 50% zeigt die aktuelle Mikrowellenleistung an. 100% ist die höchste Einstellung und 0% die niedrigste (keine Mikrowellenenergie verwendet).

ITEM-05

ITEM-05 zeigt die ein- oder zweistellige Eingabe eines Garprogramms über eine programmierte Taste an.

STAGE 1

Stage 1 zeigt an, in welcher Stufe des Garprogramms (1 bis 4) sich der Ofen befindet.

STANDBY

STANDBY wird angezeigt, wenn der Ofen ausgeschaltet, der Netzstecker eingesteckt oder die Tür geöffnet und wieder geschlossen wurde.

Programmierdisplay

ANZEIGEN

BESCHREIBUNG

Enter Program to Add/
Review:

Wird angezeigt, wenn der Ofen über eine ein- oder zweistellige Programmnummer eingestellt werden kann.

STAGE 1

Zeigt während des Garens oder beim Programmieren einer bestimmten Garstufe die Stufennummer an. Die Stufennummer (1 bis 4) zeigt die aktuelle Stufe an.

USB Display

ANZEIGEN






BESCHREIBUNG

USB

Zeigt an, dass die Zifferntaste 5 gedrückt gehalten wird und die Datenübertragung vom/zum USB-Flash-Laufwerk abgeschlossen ist.



Programmiertasten

Der Ofen ist werkseitig auf einstellige Programmnummern eingestellt. Wie Sie den Ofen standardmäßig auf zweistellige Programmnummern umstellen, erfahren Sie im Abschnitt *Benutzeroptionen*. Programmierung von Dauer, Leistung und Temperatur für eine Taste:

- Der Ofen muss eingeschaltet sein.
 - Drücken Sie die Vorheiz-Taste. 
 - Im Display erscheint die Meldung **Oven Preheating 475°F or 250°C**, wobei **Oven Preheating** blinkt.
- Der Ofen erreicht die Vorheiztemperatur.
 - Im Display erscheint die Meldung **Ready 475°F or 250°C**, wobei **Ready** blinkt. Drücken Sie die Programmspeicher-Taste.
 - Der Programmierungsmodus startet.
 - Im Display wird **Enter Program to Add/Review** angezeigt. 
- Drücken Sie die Taste, die Sie programmieren oder neu programmieren möchten.
 - Das Display zeigt alle Einstellungen für die Taste an.
 - Neben dem Wort **ITEM** wird die Nummer der Taste angezeigt, die programmiert wird.
- Drücken Sie die Zeiteingabe-Taste, um die Garzeit zu programmieren. 
 - Geben Sie die gewünschte Garzeit über die Zifferntasten ein.
 - Die gesamte Mikrowellengarzeit (alle Garstufen) beträgt 20 Minuten.
- Drücken Sie die Temperatureingabe-Taste, um die Gartemperatur zu programmieren. 
 - Geben Sie über die Zifferntasten die gewünschte Heißlufttemperatur ein.
- Drücken Sie die Leistungsstufen-Taste, um die Mikrowellenleistung zu programmieren. 
 - Mit den Tasten 1 (10%) bis 9 (90%) können Sie die Mikrowellenleistung senken und erhöhen. **0 schaltet die Mikrowellenleistung aus und das Garen erfolgt nur über Heißluft.**
 - Durch zweimaliges Drücken einer beliebigen Zifferntaste setzen Sie die Leistung wieder auf 100%.
- Drücken Sie die Programmspeicher-Taste, um die Programmänderungen zu speichern. 
- Mit der Stopp/Reset-Taste können Sie die Änderungen verwerfen.

Programmieren mehrerer Garstufen

Mit Garstufen können mehrere Garzyklen direkt hintereinander durchgeführt werden. Mit einer Speichertaste können bis zu vier verschiedene Garzyklen programmiert werden. Einstellung der Garstufen:

- Befolgen Sie die Schritte 1 bis 6.
- Drücken Sie die Stufen-Taste. 
 - Die Programmierung der nächsten Garstufe wird gestartet
 - Auf dem Display wird die zu programmierende Stufe angezeigt.
 - Geben Sie Garzeit, Temperatur und Leistungsstufe ein, laut Schritt 4, 5 und 6.
 - Drücken Sie die Stufen-Tasten erneut, um eine andere Garstufe für die Taste einzugeben.
 - Es können bis zu vier verschiedene Stufen programmiert werden. 
- Drücken Sie die Programmspeicher-Taste, um das Programm und die Änderungen zu speichern.
- Drücken Sie die Stopp/Reset-Taste, bevor Sie die Programmspeicher-Taste drücken, um die Änderungen zu verwerfen.

Programmieren der Vorheizeinstellungen

Die Heißlufttemperatur kann von 65°C bis 250°C (150 ° F bis 475° F) eingestellt werden. Es wird empfohlen, die Vorheiztemperatur auf den am häufigsten in diesem Ofen verwendeten Wert einzustellen. Werkseitig ist das Gerät auf eine Vorheiztemperatur von 250°C (475°F) eingestellt.

Programmieren der Vorheizeinstellungen:

- Schalten Sie den Ofen ein, um die Vorheiztemperatur einzustellen.
- Drücken Sie die Programmspeicher-Taste.
- Drücken Sie die Temperatureingabe-Taste.
- Geben Sie über die Zifferntasten die gewünschte Temperatur ein.
 - Die Temperatur wird in Schritten von 5°C (5°F) eingegeben. Andernfalls wird die Temperatur automatisch auf den nächsten 5°C-Wert (5°F) geändert.
- Die Vorheiztemperatur wird geändert.



Was sind Garstufen?

Durch Garstufen lassen sich verschiedene Garzyklen, oder Stufen, nacheinander durchführen, ohne dass der Benutzer die Einstellungen erneut vornehmen muss. Garstufen können so eingestellt werden, dass die Speisen zuerst aufgetaut, dann gegart und anschließend bis zum Servieren warm gehalten werden.

Beispiel von Phasenkochen Zuständen

	Phase 1	Phase 2	Phase 3	Phase 4
Temp	230°C	230°C	230°C	230°C
Kochstufe	100%	30%	0	50%
Zeit	2:30	1:30	1:30	1:00

Heißluftgaren



⚠ ACHTUNG

Um die Gefahr von Verbrennungen zu vermeiden, handhaben Sie Geschirr, Rost und Tür mit Vorsicht. Lassen Sie Ofen, Geschirr und Rost vor dem Reinigen abkühlen. Ofen, Geschirr und Rost werden beim Betrieb heiß.

Über vorprogrammierte Tasten oder manuelle Zeiteingaben können Sie den Ofen auch nur zum Heißluftgaren verwenden. **Die folgenden Anweisungen gelten nur für Heißluftgaren.** Informationen zum Kombi-Garen finden Sie im Abschnitt.

Heißluftgaren

Beim Heißluftgaren wird die erhitzte Luft über ein Heißlufterelement und ein Gebläse gleichmäßig im Garraum verteilt. Durch die Luftzirkulation ist das Gargut überall derselben Temperatur ausgesetzt, sodass keine heißen oder kalten Stellen entstehen. Durch diese konsistente Temperatur gart das Gargut gleichmäßig und die Garzeit verkürzt sich. Der Ofen arbeitet immer im Heißluftmodus.

Heißluftgaren mit programmierten Tasten

1. Drücken Sie die Vorheiz-Taste, um den Ofen einzuschalten.
 - Der Ofen startet einen Vorheizzyklus.
 - Im Display wird **Oven Preheating 475°F (250°C)** angezeigt.
 - Wie Sie die Vorheiztemperatur ändern, erfahren Sie unter *Programmierung*.
2. Der Ofen erreicht die Vorheiztemperatur.
 - **Ready 475°F (250°C)** wird angezeigt.
3. Drücken Sie die ausgewählte, auf 0% Mikrowelle vorprogrammierte Taste.
 - Drücken Sie bei einer einstelligen Programmnummer die Taste, um den Ofen automatisch zu starten.
 - Drücken Sie bei einer zweistelligen Programmnummer die Tasten in der entsprechenden Reihenfolge, um den Ofen automatisch zu starten.
4. Der Garzyklus startet
 - Das vorprogrammierte Garprogramm, die gesamte Garzeit, die Gartemperatur, die Mikrowellenleistung in Prozent und die Stufe werden angezeigt.
5. Der Ofen beendet die Garfolge
 - Ein Piepton signalisiert das Ende des Garzyklus.
 - Im Display wird **Done** angezeigt.
 - **Garraum und Kochgeschirr sind heiß.**
6. Drücken Sie die Vorheiz-Taste, um den Ofen auszuschalten.



Heißluftgaren über manuelle Einstellungen

1. Drücken Sie die Vorheiz-Taste, um den Ofen einzuschalten.
 - Der Ofen startet einen Vorheizzyklus.
 - Im Display wird **Oven Preheating 475°F (250°C)** angezeigt.
 - Wie Sie die Vorheiztemperatur ändern, erfahren Sie unter *Programmierung*.
2. Der Ofen erreicht die Vorheiztemperatur.
 - **Ready 475°F (250°C)** wird angezeigt.
3. Stellen Sie das Gargut in den Ofen.
4. Drücken Sie die Zeiteingabe-Taste.
 - Geben Sie mit Hilfe der Zifferntasten die gewünschte Garzeit ein.
5. Drücken Sie die Temperatureingabe-Taste, wenn die Gartemperatur von der Vorheiztemperatur abweicht.
 - Geben Sie die neue Temperatur ein.
6. Drücken Sie die Leistungsstufen-Taste.
 - Drücken Sie die Taste "0" für 0% Mikrowelle. **0 schaltet die Mikrowellenleistung aus und das Garen erfolgt nur über Heißluft.**
7. Wenn Sie stufenweise garen möchten, drücken Sie die Stufen-Taste und wiederholen Sie die Schritte 4 bis 6.
 - Es können bis zu 4 verschiedene Stufen programmiert werden.
8. Drücken Sie die Start-Taste, um den Garzyklus zu starten.



Kombi-Garen (Mikrowelle und Heißluft)



ACHTUNG

Um die Gefahr von Verbrennungen zu vermeiden, handhaben Sie Geschirr, Rost und Tür mit Vorsicht. Lassen Sie Ofen, Geschirr und Rost vor dem Reinigen abkühlen. Ofen, Geschirr und Rost werden beim Betrieb heiß.

Über vorprogrammierte Tasten oder manuelle Zeiteingaben können Sie den Ofen im Kombi-Programm verwenden. **Folgende Anweisungen gelten nur für Kombi-Garen.** In dem Abschnitt finden Sie Informationen zum reinen Kombi-Garen.

Kombi-Garen mit vorprogrammierten Tasten

- Drücken Sie die Vorheiz-Taste, um den Ofen einzuschalten.
 - Der Ofen startet einen Vorheizzyklus.
 - Im Display wird **Oven Preheating 475°F (250°C)** angezeigt.
 - Wie Sie die Vorheiztemperatur ändern, erfahren Sie unter *Programmierung*.
- Der Ofen erreicht die Vorheiztemperatur.
 - Ready 475°F (250°C)** wird angezeigt.
- Drücken Sie die gewünschte Taste.
 - Drücken Sie bei einer einstelligen Programmnummer die Taste, um den Ofen automatisch zu starten.
 - Drücken Sie bei einer zweistelligen Programmnummer die Tasten in der entsprechenden Reihenfolge, um den Ofen automatisch zu starten.
- Der Garzyklus startet
 - Das vorprogrammierte Garprogramm, die gesamte Garzeit, die Gartemperatur, die Mikrowellenleistung in Prozent und die Stufe werden angezeigt.
- Der Ofen beendet die Garfolge
 - Ein Piepton signalisiert das Ende des Garzyklus.
 - Im Display wird **Done** angezeigt.
 - Garraum und Kochgeschirr sind heiß.**
- Drücken Sie die Vorheiz-Taste, um den Ofen auszuschalten.



Kombi-Garen

Der Kombi-Modus nutzt die Energie der schnellen **Mikrowellen** und den Bräunungseffekt des **Heißluftgarens**, um schnell köstliche Speisen zu bereiten.

- Beim Mikrowellengaren wird das Gargut über hochfrequente Energiewellen erhitzt. Beim Garen werden die Moleküle in den Lebensmitteln durch die Energie der Mikrowellen schnell bewegt. Diese schnelle Bewegung erzeugt Wärme, wodurch die Lebensmittel gegart werden. "POWER" wird angezeigt, wenn der Ofen Mikrowellenenergie für den aktuellen Zyklus erzeugt.
- Beim Heißluftgaren wird das Gargut mit der ausgewählten Ofentemperatur gebacken und gebräunt. Die zirkulierende Heißluft umströmt das Gar gleichmäßig.
- Der Ofen hält die Mindest-Heißlufttemperatur von 65°C (150°F), um die Luft trocken zu halten und das Gargut gleichmäßiger zu garen.

Kombi-Garen über manuelle Gareinstellungen

- Drücken Sie die Vorheiz-Taste, um den Ofen einzuschalten.
 - Der Ofen startet einen Vorheizzyklus.
 - Im Display wird **Oven Preheating 475°F (250°C)** angezeigt.
 - Wie Sie die Vorheiztemperatur ändern, erfahren Sie unter *Programmierung*.
- Der Ofen erreicht die Vorheiztemperatur.
 - Ready 475°F (250°C)** wird angezeigt.
- Drücken Sie die Zeiteingabe-Taste.
 - Geben Sie mit Hilfe der Zifferntasten die gewünschte Garzeit ein.
- Drücken Sie die Temperatureingabe-Taste, wenn die Gartemperatur der Vorheiztemperatur abweicht.
 - Geben Sie die neue Temperatur ein.
- Drücken Sie die Leistungsstufen-Taste.
 - Mit den Tasten 1 (10%) bis 9 (90%) können Sie die Mikrowellenleistung senken und erhöhen. **0 schaltet die Mikrowellenleistung aus und das Garen erfolgt nur über Heißluft.**
 - Drücken Sie die Zifferntaste für die gewünschte Stufe. • Durch zweimaliges Drücken einer beliebigen Zifferntaste setzen Sie die Leistung wieder auf 100%.
- Wenn Sie stufenweise garen möchten, drücken Sie die Stufen-Taste und wiederholen Sie die Schritte 4 bis 6.
 - Es können bis zu 4 verschiedene Stufen programmiert werden.
- Drücken Sie die Start-Taste, um den Garzyklus zu starten.



Mikrowellengaren (nur Mikrowelle)



ACHTUNG

Um die Gefahr von Verbrennungen zu vermeiden, handhaben Sie Geschirr, Rost und Tür mit Vorsicht. Lassen Sie Ofen, Geschirr und Rost vor dem Reinigen abkühlen. Ofen, Geschirr und Rost werden beim Betrieb heiß.

Über vorprogrammierte Tasten oder manuelle Zeiteingaben können Sie den Ofen zum Mikrowellengaren verwenden. **Folgende Anweisungen gelten nur für Mikrowellengaren.** In dem Abschnitt finden Sie Informationen zum reinen Heißluft- oder Kombi-Garen.

Hinweis: Die reine Mikrowellen-Option muss über die Optionseinstellungen gemäß Seite 11 Benutzeroptionen aktiviert werden.

Mikrowellengaren über vorprogrammierte Tasten

1. Stellen Sie das Gargut in den Ofen und schließen Sie die Tür.
2. Drücken Sie die gewünschte Taste.
 - Drücken Sie bei einer einstelligen Programmnummer die Taste, um den Ofen automatisch zu starten.
 - Drücken Sie bei einer zweistelligen Programmnummer die Tasten in der entsprechenden Reihenfolge, um den Ofen automatisch zu starten.
3. Der Garzyklus startet
 - Das vorprogrammierte Garprogramm, die gesamte Garzeit, die Gartemperatur, die Mikrowellenleistung in Prozent und die Stufe werden angezeigt.
4. Der Ofen beendet die Garfolge
 - Ein Piepton signalisiert das Ende des Garzyklus.
 - Im Display wird **Done** angezeigt.

Mikrowellengaren über manuelle Gareinstellungen

1. Stellen Sie das Gargut in den Ofen und schließen Sie die Tür.
2. Drücken Sie die Zeiteingabe-Taste.
 - Geben Sie mit Hilfe der Zifferntasten die gewünschte Garzeit ein.
3. Drücken Sie die Leistungsstufen-Taste.
 - Mit den Tasten 1 (10%) bis 9 (90%) können Sie die Mikrowellenleistung senken und erhöhen.
 - Drücken Sie die Zifferntaste für die gewünschte Stufe. • Durch zweimaliges Drücken einer beliebigen Zifferntaste setzen Sie die Leistung wieder auf 100%.
4. Wenn Sie stufenweise garen möchten, drücken Sie die Stufen-Taste und wiederholen Sie die Schritte 2 und 3.
 - Es können bis zu 4 verschiedene Stufen programmiert werden.
5. Drücken Sie die Start-Taste, um den Garzyklus zu starten.





Falls Ihnen eine Option nicht gefällt

Die Werkseinstellungen sind fett gedruckt. Wählen Sie einfach die fett gedruckte Option aus, um den Ofen auf auf die Werkseinstellungen zurückzusetzen.

Meine Änderungen wurden nicht gespeichert.

Damit die Änderungen gespeichert werden, muss nach Auswahl einer Option die Programmspeicher-Taste gedrückt werden. Durch Drücken der Stopp/Reset-Taste werden die Änderungen nicht gespeichert.

Ändern der Benutzeroptionen

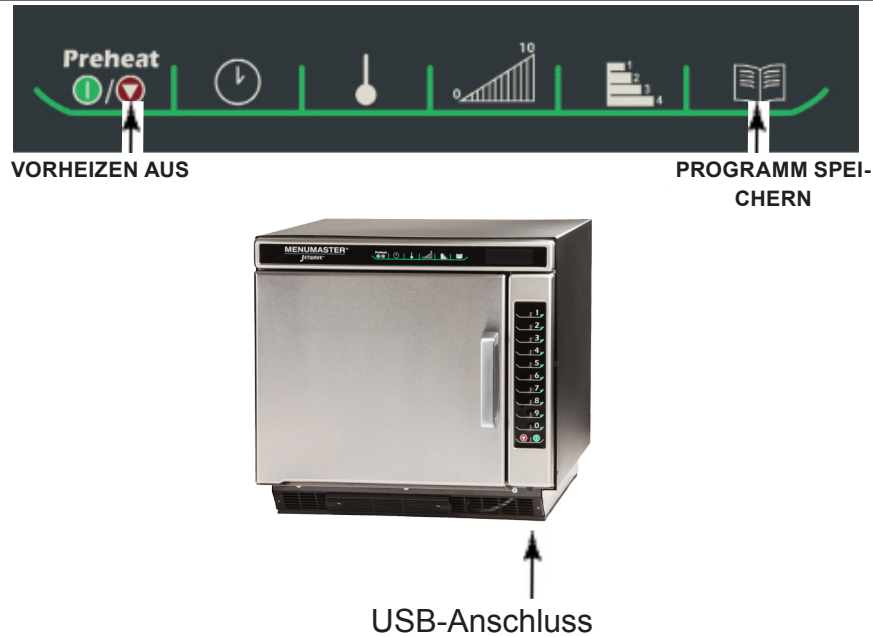
Einstellungen wie ein- oder zweistellige Programmnummern, Lautstärke des Pieptons und maximale Garzeit können benutzerspezifisch angepasst werden.

Optionen können nur geändert werden, wenn am Ofen STANDBY angezeigt wird:

- Drücken Sie die versteckte Taste.
 - Die Taste ist unbeschriftet und befindet sich links direkt neben der Vorheiz-Taste.
 - Wenn die versteckte Taste gedrückt wird, erscheint im Display keine Anzeige.
- Drücken Sie die Programmspeicher-Taste. Die erste Benutzeroption wird angezeigt. Der Ofen ist nun im Options-Modus.
- Drücken Sie die Zifferntaste für die Option, die Sie ändern möchten.
 - Die Optionen finden Sie in nachstehender Tabelle.
 - Die aktuelle Option wird angezeigt.
- Drücken Sie die Zifferntaste erneut, um die Option zu ändern.
 - Die Option ändert sich mit jeder Betätigung der Taste.
 - Vergleichen Sie den angezeigten Code mit dem Code für die gewünschte Option.
 - Wiederholen Sie die Schritte 3 und 4, um weitere Optionen zu ändern.
 - Die Änderungen werden übernommen, sobald die Taste gedrückt wird. Drücken Sie zum Speichern die Programmspeicher-Taste.
- Drücken Sie die Stopp/Reset-Taste, um zu STANDBY zurückzukehren, oder öffnen und schließen Sie die Ofentür.

Zifferntasten	Anzeige	Optionen (Werkseinstellungen fett gedruckt)
1 Zweistellige Zifferneingabe	Deaktiviert Aktiviert	10 (0 - 9) vorprogrammierte Tasten möglich. 100 (00 - 99) vorprogrammierte Tasten möglich.
2 Manuelle Zeiteingabe	Deaktiviert Aktiviert	Manuelle Zeiteingabe / Gareinstellung nicht möglich. Manuelle Zeiteingabe / Gareinstellung möglich.
3 Zurücksetzen bei Türöffnung	Deaktiviert Aktiviert	Beim Öffnen der Tür wird der Ofen nicht in den Bereitschaftsmodus zurückgesetzt. Beim Öffnen der Tür wird der Ofen in den Bereitschaftsmodus zurückgesetzt.
4 Tastenton	Tastenton EIN Tastenton AUS	Tastenton beim Drücken (Tastenton ein). Kein Tastenton beim Drücken (Tastenton aus).
5 Tastenton-Lautstärke	AUS LEISE MITTEL LAUT	Tastenton-Lautstärke AUS. Tastenton-Lautstärke LEISE. Tastenton-Lautstärke MITTEL. Tastenton-Lautstärke LAUT.
6 Signal Garzeitende	Durchgehender Piepton 3 Sekunden langer Piepton Einmal 4 Pieptöne Wiederholt 4 Pieptöne	Das Ende des Garvorgangs wird durch einen durchgängigen Piepton angezeigt, bis er vom Benutzer zurückgesetzt wird. Das Ende des Garvorgangs wird durch einen 3 Sekunden langen Piepton angezeigt. Das Ende des Garvorgangs wird durchgängig durch vier Pieptöne angezeigt. Das Ende des Garvorgangs wird durch viermal vier Pieptöne angezeigt.
7 Tastatur aktiv	15 SEKUNDEN 30 SEKUNDEN 60 SEKUNDEN 120 SEKUNDEN IMMER	Die Tastatureingabe wird 15 Sekunden lang angezeigt. Die Tastatureingabe wird 30 Sekunden lang angezeigt. Die Tastatureingabe wird eine Minute lang angezeigt. Die Tastatureingabe wird zwei Minuten lang angezeigt. Die Tastatureingabe wird ständig angezeigt.
8 Vorheiz-Warnungen	Deaktiviert Nur Programmwarnung Nur Vorheiz-Warnung Beide	Beide Temperaturwarnungen aus. Es wird nur eine Warnung ausgegeben, wenn die Vorheiz-Temperatur nicht mit der vorprogrammierten Temperatur übereinstimmt. Es wird nur eine Warnung ausgegeben, wenn die tatsächliche Temperatur im Garraum nicht der Vorheiz-Temperatur entspricht. Beide
TEMPERATUR- TASTE Temperaturskala	FAHRENHEIT CELSIUS	Bei 60 Hz-Modellen wird die Temperatur in °F angezeigt. Bei 50 Hz Modellen wird die Temperatur in °C angezeigt
STUFEN-TASTE Häufigkeit der Meldung "CLEAN FILTER"	Wöchentlich, monatlich, Vierteljährlich deaktiviert	Der Ofen zeigt die Meldung "Clean Filter" nicht an. Der Ofen zeigt alle sieben (7) Tage die Meldung "Clean Filter" an. Der Ofen zeigt alle sieben (30) Tage die Meldung "Clean Filter" an. Der Ofen zeigt alle sieben (90) Tage die Meldung "Clean Filter" an.
LEISTUNGSSTUFEN- TASTE NUR MIKROWELLE	Deaktiviert Aktiviert	Der Ofen arbeitet nicht im reinen Mikrowellen-Modus. Der Ofen arbeitet im reinen Mikrowellen-Modus.

Betrieb über USB-Flash-Laufwerk



Programmieren des Ofens über das USB-Flash-Laufwerk:


Der Ofen muss sich im Standby-Modus befinden (Vorheizen AUS)

Hinweis: Der Ofen ist kompatibel mit standardmäßigen USB-Flash-Laufwerken.

1. Entfernen Sie die Schutzabdeckung unten am vertikalen Tastenfeld.
2. Stecken Sie das USB-Flash-Laufwerk in den Anschluss unter dem vertikalen Tastenfeld.
3. Öffnen Sie die Tür.
4. Halten Sie die **Taste 5** gedrückt, bis im Display "USb" angezeigt wird.
5. Drücken Sie die **Taste 1**, um das Programm **VOM** USB-Flash-Laufwerk zum Ofen zu übertragen. Auf dem Display erscheint "USb TO OVEN".

ODER

Drücken Sie die **Taste 2**, um das Programm vom Ofen **ZUM** USB-Flash-Laufwerk zu übertragen. Auf dem Display erscheint "OVEN TO USb".

6. Drücken Sie die **START-Taste**  auf dem vertikalen Tastenfeld, um die Datenübertragung zu starten.
7. Im Ofendisplay wird ca. 10 Sekunden lang "LOADING" angezeigt.
8. Wenn die Datenübertragung abgeschlossen ist, ertönt ein Piepton und auf dem Display wird "Done" und die Anzahl der gespeicherten Programme angezeigt.
9. Drücken Sie eine beliebige Taste, um das Display zu löschen, oder schließen Sie die Tür; auf dem Display wird "READY" angezeigt.

Fehlercodes:

1. **NO USb:** Entnehmen Sie das USB-Flash-Laufwerk, stecken Sie es wieder ein und versuchen Sie es erneut.
2. **RESET OVEN:** Ziehen Sie den Ofenstecker, stecken Sie ihn wieder ein und versuchen Sie es erneut.

Wartung durch den Benutzer

Service-Codes

Während des Betriebs wird am Ofen möglicherweise ein Service-Code angezeigt. **Wenn dies der Fall ist:**

1. Ziehen Sie den Stecker und warten Sie ca. eine Minute. Schließen Sie den Ofen wieder an und schauen Sie, ob der Code erneut angezeigt wird.
 - Wenn der Code nicht mehr angezeigt wird, fahren Sie mit dem normalen Ofenbetrieb fort.
2. Wenn Service-Code wieder erscheint, notieren Sie ihn und wenden Sie sich an den nächsten autorisierten ACP-Servicefachmann.
 - Verwenden Sie den Ofen erst nach Kontaktaufnahme zum ACP-Servicefachmann.

ERROR!
Error Code: 2
(Beispiel)

Pflege und Reinigung

Eine regelmäßige Reinigung gewährleistet eine maximale Lebensdauer, Leistung und Effizienz des Ofens. Ein verschmutzter Ofen gart nicht gut, da Feuchtigkeit, Flecken und Fett die Heißluft und Mikrowellenenergie absorbieren.



WARNUNG

Um schwere Verletzungen und Tod durch Stromschläge zu vermeiden, ziehen Sie den Netzstecker oder öffnen Sie den Schutzschalter, bevor Sie den Ofen reinigen.



ACHTUNG

Um Verbrennungen zu vermeiden, handhaben Sie Geschirr, Rost und Tür mit Vorsicht. Lassen Sie Ofen, Geschirr und Rost vor dem Reinigen abkühlen. Ofen, Geschirr und Rost werden beim Betrieb heiß.

BEI EINEM NEUEN OFEN: bevor Sie den Ofen das erste Mal verwenden, sprühen Sie ACP Ofenschutzspray auf ein feuchtes Tuch und reiben Sie alle Innenflächen damit ab. Entfernen Sie den Ofenschutzfilm (Artikel Nr. SH10) nicht. Schalten Sie den Ofen ein und heizen Sie ihn vor, um den Garprozess zu starten.

I. Empfehlungen zur täglichen Reinigung:

Empfohlene Reinigung Supplies: feuchtes Handtuch, Kunststoff Scheuerschwamm, ACP Oven Cleaner (Item # CL10) und ACP Ofen Schild Ofen Protectant (Item # SH10). Keine ätzenden Reinigungsmittel oder Reinigungsmittel mit Ammoniak, Phosphat, Chlor, Natrium oder Ätzkali (Lauge) direkt auf die Ofenflächen sprühen.



1. Schalten Sie den Ofen aus. Drücken Sie die Vorheiz-Taste. Lassen Sie den Ofen auf min. 95°C (200°F) abkühlen (ca. 10-15 Minuten bei geöffneter Tür und 45-60 Minuten bei geschlossener Tür).



2. Entnehmen Sie Rost und Zubehör. Reinigen Sie die Ofenaußenwände mit warmem Seifenwasser und lassen Sie sie trocknen während Sie den Garraum reinigen. Reinigen Sie den Pizzastein nur mit einem Kunststoffkratzer und einem feuchten Tuch.



3. Besprühen des Ofeninnenraums: Entfernen Sie eingebrannte Reste mit einem Kunststoffkratzer. Tragen Sie Handschuhe und Schutzbrille. Besprühen Sie Tür, Seitenwände und Boden mit dem CL10 Ofenreiniger. Lassen Sie alles 2-5 Minuten lang einwirken.



4. Reinigen und Auswischen des Ofeninnenraums: Reinigen Sie den Ofen mit einem doppelseitigen Reinigungsschwamm. Wischen Sie den Innenraum des Ofens mit einem feuchten Tuch aus, spülen Sie das Tuch aus und wringen Sie es gründlich aus. Wiederholen Sie den Vorgang 2-3 Mal, um Reste des Ofenreinigers und Partikel aus dem Ofen zu entfernen. Wiederholen Sie den Vorgang bei Bedarf 3 oder 4 Mal.



5. Besprühen mit Ofenschutzspray: Wenn der Ofen sauber ist, besprühen Sie den Garraum mit SH10 Ofenschutzspray und reiben Sie alle Innenflächen ab. Schieben Sie den Rost wieder in den Ofen. Entfernen Sie den Ofenschutzfilm nicht.

6. Säubern Sie Ofen Außen: Reinigen Sie die Tür und anderen Außenflächen mit einem sauberen Tuch, Schwamm oder doppelseitigem Reinigungsschwamm und warmem Seifenwasser.

II. Wöchentliche, monatliche oder vierteljährliche Reinigung: Reinigung des Luftfilters und der Fettwanne



Filter und Fettwanne befinden sich unterhalb der Ofentür. Das Filter ist magnetisch. Entnehmen Sie das Filter zur Reinigung und wischen Sie das umliegende Gitter ab. Reinigen Sie das Gitter mit einem Schwamm oder doppelseitigem Reinigungsschwamm und warmem Seifenwasser. Entnehmen Sie die Fettwanne, gießen Sie das Fett ab und reinigen Sie sie mit einem Schwamm oder doppelseitigem Reinigungsschwamm und warmem Seifenwasser. Spülen Sie nach und trocknen Sie alles gründlich ab.

Vor dem Anruf beim Wartungsdienst



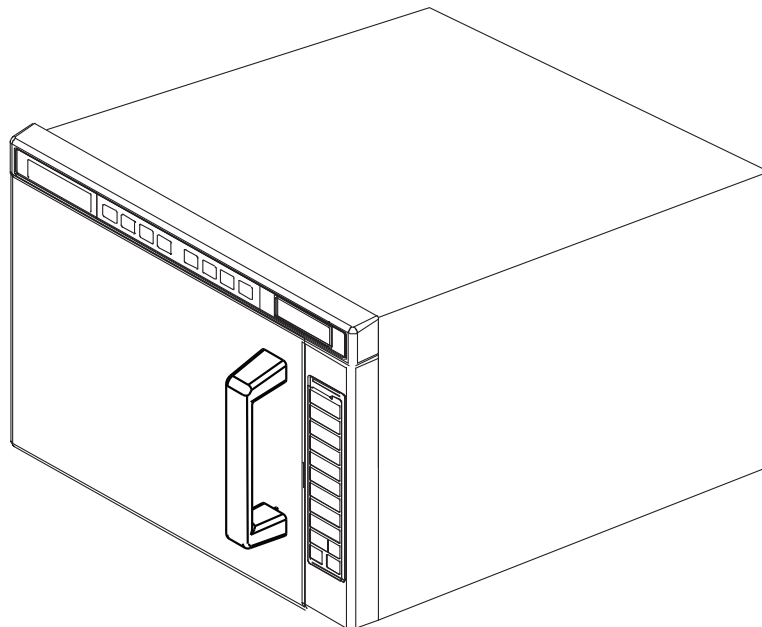
WARNUNG

Auf keinen Fall das Gehäuse abnehmen, um schwere Verletzungen oder Tod durch Stromschlag zu vermeiden. Das Gehäuse darf nur von einem autorisierten Servicefachmann entfernt werden.

PROBLEM	Mögliche Ursache
Ofen funktioniert nicht.	<p>Stellen Sie sicher, dass der Ofen am richtigen Stromkreislauf angeschlossen ist.</p> <p>Stellen Sie sicher, dass der Ofen geerdet ist. (Lassen Sie dies von einem Elektriker prüfen)</p> <p>Überprüfen Sie Sicherung und Schutzschalter.</p>
Der Ofen ist ständig in Betrieb oder im Display wird HOT angezeigt.	<p>Überprüfen Sie das Luftfilter und die Auslassbereiche auf Blockierungen.</p>
Der Ofen übernimmt beim Tastendruck keine Änderungen.	<p>Stellen Sie sicher, dass der Ofen eingeschaltet und vorgeheizt ist. Öffnen und schließen Sie die Ofentür. Drücken Sie die Taste erneut.</p>
Bei einer Ofenstörung oder der Anzeige: ERROR! Error Code: 1 (Beispiel)	<p>Die Ofensteuerung wird von einem Selbstdiagnosesystem übersteuert. Das Selbstdiagnosesystem alarmiert Sie, wenn eine Störung oder ein Problem vorliegt. Wenn die elektronische Steuerung ein Problem anzeigt, gehen Sie wie folgt vor:</p> <ol style="list-style-type: none">1. Notieren Sie die angezeigte Nummer. (z.B. Error Code: 1)2. Ziehen Sie den Ofenstecker und stecken Sie ihn nach 1 Minute wieder ein. <ul style="list-style-type: none">• Wenn der Ofen vom Netz genommen wird, wird der Service-Code möglicherweise gelöscht. Wenn die Störung anhält, wenden Sie sich an einen autorisierten Servicefachmann.
Das Gebläse schaltet sich ein, obwohl sich der Ofen nicht im Vorheiz- oder Garmodus befindet.	<p>Normaler Betrieb.</p>

Manuel de l'utilisateur

POUR UTILISATION COMMERCIALE UNIQUEMENT



Four combiné commercial (micro-ondes et convection)

Veillez conserver ces instructions pour toute référence ultérieure. Si l'équipement change de propriétaire, le manuel doit obligatoirement être fourni avec l'équipement.

Instructions d'origine

Table des matières

Identification du modèle	2
Instructions de mise à la terre	3
Installation	3
Affichage et caractéristiques	4
Programmation.....	7
Cuisson par convection	8
Cuisson mixte (micro-ondes et convection).....	9
Cuisson au micro-ondes (uniquement)....	10
Options de l'utilisateur	11
Instructions d'utilisation de la clé USB	12
Opérations de maintenance effectuées par l'utilisateur	13
Codes de service	13
Entretien et nettoyage	14
Avant de contacter le service	15

Identification du modèle

Lorsque vous contactez ACP, veuillez fournir les informations relatives au produit. Vous trouverez ces informations

sur la plaque signalétique du four.

Prenez note des informations suivantes :

Numéro de modèle : _____

Numéro de série ou S/N : _____

Date d'installation : _____

Nom et adresse du revendeur : _____

Veuillez contacter le service d'assistance à la clientèle ACP ComServ si vous avez des questions ou si vous souhaitez localiser un centre de services ACP autorisé.

– **Aux États-Unis** ou au Canada, appelez le numéro gratuit 866-426-2621.

– **Hors** des États-Unis et du Canada, appelez le 319-368-8120.

– **Adresse électronique :**

Commercialservice@acpsolutions.com.

Tout service sous garantie doit être exécuté par un centre de service agréé ACP. ACP recommande également de contacter un agent de services agréé ACP ou le service d'assistance à la clientèle ACP CommServ si le service est requis après expiration de la garantie.

Déballage du four

- Inspectez le four pour détecter tout dommage, tel que des bosses sur la porte ou dans la cavité du four.
- Signalez immédiatement toute bosse ou dommage à la source de l'achat.
Ne pas utiliser un four endommagé.
- Enlevez tous les matériaux d'emballage de l'intérieur du four.
- Si le four a été entreposé dans un endroit particulièrement froid, attendez plusieurs heures avant de le brancher.

Brouillage radio

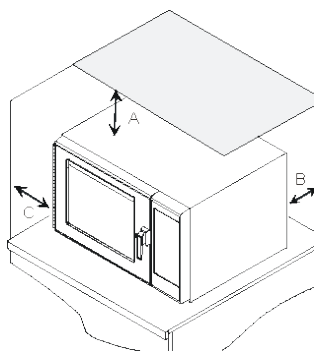
Le micro-ondes peut brouiller la radio, la télévision ou un four semblable. Réduisez ou supprimez le brouillage en procédant comme suit :

- Nettoyez la porte et les surfaces d'étanchéité du four conformément aux instructions stipulées dans la section *Entretien et nettoyage*.
- Placez la radio, la télévision, etc. aussi loin que possible du four.
- Utilisez une antenne que vous installez correctement sur la radio, la télévision, etc. pour améliorer la réception du signal.

Installation du four

- Ne pas installer le four près ou au-dessus d'une source de chaleur, telle qu'un four pour pizza ou une friteuse. La performance du four à micro-ondes pourrait en être affectée et la durée de la vie utile des composants électriques raccourcit.
- Ne pas bloquer le filtre du four. L'accès pour le nettoyage doit être facile.
- Installez le four sur une surface de comptoir régulière.
- Collez l'étiquette d'avertissement (si fournie) à un endroit bien en vue près du four à micro-ondes.
- La prise doit être accessible à la fiche lorsque le four est en place.

Espaces autour du four



A—Pour les modèles de l'Amérique du Nord (UL/CSA), laissez un intervalle de 5,1 cm (2 po) autour de la partie supérieure du four. Pour les modèles internationaux (50 Hz), laissez un intervalle de 17,8 cm (7 po) autour de la partie supérieure du four. Le flux d'air approprié autour du four refroidit les composants électriques. Si le flux d'air est limité, le four risque de ne pas fonctionner correctement et la vie utile des composants électriques sera réduite.

B—Laissez un intervalle de 6,5 cm (2 9/16 po) entre l'évacuation de l'air à l'arrière du four et mur.

C—Laissez un intervalle de 3 cm (1 1/4 po) sur les côtés du four.



AVERTISSEMENT

Pour éviter tout risque de choc électrique voire la mort, ce four doit être mis à la terre et la fiche ne doit pas être modifiée.



Instructions de mise à la terre

Le four **DOIT** être correctement mis à la terre. Une mise

à la terre réduit le risque de choc électrique en permettant au courant électrique dû un court-circuit de s'échapper par le fil d'évacuation. Ce four est muni d'un cordon d'alimentation doté d'un conducteur de mise à la masse avec une fiche mise à la masse. La fiche doit être branchée dans une prise appropriée qui est correctement installée et mise à la masse.

Si les instructions ne sont pas bien comprises ou si vous avez des doutes, contactez un électricien ou un service qualifiés pour garantir une bonne mise à la masse.

Ne pas utiliser de rallonges.

Si le cordon électrique du produit est trop court, contactez un électricien qualifié pour installer une prise à trois broches. Ce four doit être branché dans un circuit distinct dont les caractéristiques électriques correspondent aux spécifications du produit. Lorsque le four mixte est installé sur un circuit avec d'autres équipements, le temps de cuisson risque d'augmenter et les fusibles risquent de sauter.

Borne d'équipotentialité pour une mise à la terre externe (exportation uniquement)

L'équipement dispose d'une borne de mise à la terre auxiliaire. Elle permet d'effectuer une mise à la terre externe qui est utilisée en sus de la broche de mise à la terre sur la fiche. Située à l'extérieur de la partie arrière du four, la borne est indiquée par le symbole illustré ci-dessous.



Affichage et caractéristiques



Caractéristiques du four

Le message de veille s'affiche lorsque la porte est ouverte et fermée ou après avoir arrêté le four avec la touche de marche/arrêt du préchauffage.

Standby
Ou appuyez sur Preheat

Préchauffage du four
250°C ou 475°F

Le message indiquant que le four est en mode de préchauffage (Oven Preheating) et la température réglée s'affiche après avoir appuyé sur la touche de marche/arrêt du préchauffage. (l'exemple illustre 230 °F [475°F])

Affichage et caractéristiques (suite)

Le message indiquant que le four est prêt (Ready) et la température réglée s'affiche après avoir appuyé sur la touche de marche/arrêt du préchauffage. Le message Ready indique que le four a atteint la température réglée. (l'exemple illustre 230 °F [475°F])

Ready (Prêt)
250°C ou 475°F

Indique que le programme de cuisson du four est préprogrammé

Élt-05 Étape:1
01:23 475°F MW:50%

Les informations sur la cuisson s'affichent après avoir appuyé une touche à un chiffre (ou à deux) en mode Ready (Prêt).

Durée restante du programme de cuisson

Température de cuisson
250°C ou 475°F

Pourcentage de la puissance du micro-ondes

Indique que le programme de cuisson du four est manuel

Manuel Étape:1
00:15 475°F MW:100%

Durée restante pour la cuisson

Température de cuisson
250°C ou 475°F

Pourcentage de la puissance du micro-ondes

Le four indique qu'il est mode Microwave Only (Micro-ondes uniquement) avant d'effectuer la sélection.

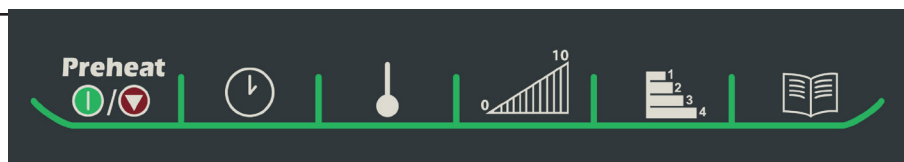
Élt-05 Étape:1
01:23 MW:50%

Les informations sur la cuisson s'affichent après avoir appuyé une touche à un chiffre (ou à deux) en mode Ready (Prêt).

Durée restante du programme de cuisson

Pourcentage de la puissance du micro-ondes

Affichage et caractéristiques (suite)



Affichage de la cuisson



Touche Start

La touche Start permet de lancer un cycle de cuisson avec saisie

manuelle.



Touche Stop/Reset

La touche Stop/Reset met fin à une séquence

de cuisson en cours, effacer le temps restant et termine également une programmation ou un cycle d'option utilisateur. Lorsque la touche Stop/Reset est utilisée pour mettre fin à une modification de programmation ou d'option, les modifications sont ignorées.

Avertissements pour la température

Il existe deux avertissements de température pour le four mixte. Un signal sonore à trois bips retentit pour les avertissements lorsqu'une touche du programme est appuyée. Les avertissements sont les suivants :

- Un avertissement lorsque la température de préchauffage ne correspond pas à la température préprogrammée d'un mode de cuisson.
- Un avertissement lorsque la température de la cavité du four ne correspond pas à la température de préchauffage, comme par exemple lorsque le four est mis en marche.

Pour substituer l'avertissement et lancer un cycle de cuisson, appuyez sur la touche Start. Pour désactiver les avertissements, voir la section *Options pour les utilisateurs*.

AFFICHAGES

DESCRIPTION

PRÉCHAUFFAGE DU FOUR 475°F

Oven Preheating 475°F ou 250°C s'affiche lorsque le four est mis en marche et chauffe à la température de préchauffage sélectionnée. **Oven Preheating** clignote également lorsqu'un mode de cuisson peut être lancé ou programmé.

READY (PRÊT) 475°F

Ready 475°F ou 250°C s'affiche lorsque le four a atteint la température de préchauffage et est prêt à la cuisson. **Ready** clignote également lorsqu'un mode de cuisson peut être lancé ou programmé.

Remarque: Le four est automatiquement arrêté après deux heures d'inactivité.

00:00

Affiche la durée de la cuisson. Si une cuisson par étape est programmée, la durée totale de la cuisson s'affiche

MW 50%

MW 50% affiche le niveau de la puissance actuelle du micro-ondes. 100% représentent le réglage maximum et 0%, le réglage minimum (l'énergie du micro-ondes n'est pas utilisée)

ITEM-05

ITEM-05 affiche une saisie à un ou deux chiffres d'un mode de cuisson programmé entré à l'aide d'une touche programmée.

STAGE 1

Stage 1 s'affiche pour indiquer le numéro de l'étape (de 1 à 4) à laquelle se trouve la mode de cuisson du four

STANDBY

STANDBY s'affiche lorsque le four est éteint, après avoir branché le four, lorsque la porte est ouverte et refermée.

Affichage de la programmation

AFFICHAGES

DESCRIPTION

Enter Program to Add/Review:

S'affiche lorsque le four est en mode de programmation pour une mémoire à une touche ou à double touche.

STAGE 1

Affiche le numéro de l'étape pendant la cuisson ou lors de la programmation d'une étape spécifique de la cuisson. Le numéro de l'étape (de 1 à 4) indique l'étape en cours.

AFFICHAGE USB

AFFICHAGES







DESCRIPTION

USB

S'affiche lorsque la touche 5 est appuyée et maintenue enfoncée pour exécuter le transfert depuis ou vers la clé USB.



Programmation des touches

Le four est expédié de l'usine pour une programmation à un seul chiffre. Pour changer la valeur par défaut du four et passer à une programmation à deux touches, voir la section *Options de l'utilisateur*. Pour programmer la durée, le niveau de puissance ou la température sur une touche :

- Le four doit être en marche.
 - Appuyez sur la touche Preheat On/Off (Marche/Arrêt du préchauffage). 
 - Oven Preheating 475°F ou 250°C** s'affiche avec l'option **Oven Preheating** clignotant.
- Le four atteint la température de préchauffage.
 - Ready 475°F ou 250°C** s'affiche avec l'option **Ready** clignotant. Appuyez sur la touche Program Save.
 - Le mode de programmation est lancé. 
 - Enter Program to Add/Review:** s'affiche.
- Appuyez sur la touche à programmer ou reprogrammer.
 - L'affichage change pour passer en revue tous les réglages de la touche.
 - Le numéro de la touche qui est cours de programmation s'affiche adjacent au terme **ITEM**.
- Appuyez sur la touche Time Entry pour programmer la durée de cuisson.
 - Saisissez la durée souhaitée à l'aide des touches numériques. 
 - La durée de cuisson totale du micro-ondes (toute étape comprise) est de 20 minutes.
- Appuyez sur la touche Temp Entry pour programmer la température de cuisson.
 - Saisissez la température de la cuisson par convection à l'aide des touches numériques. 
- Appuyez sur la touche Power Level pour programmer le niveau de la puissance du micro-ondes.
 - Pour une puissance plus faible du micro-ondes, appuyez sur les touches de 1 (pour 10%) jusqu'à 9 (pour 90%). **0 éteint le micro-ondes et la cuisson est par convection uniquement.** 
 - Appuyez sur l'une des touches numériques deux fois pour remettre le niveau de la puissance à 100 %.
- Appuyez sur la touche Program Save pour enregistrer les modifications au programme. 
- Pour ignorer les modifications, appuyez sur la touche Stop/Reset.

Programmation de plusieurs étapes

La cuisson par étape permet d'avoir des cycles de cuisson consécutifs sans interruption. Vous pouvez programmer quatre étapes dans la touche de mémoire. Pour utiliser la cuisson par étapes :

- Répétez les étapes de 1 à 6 ci-dessus.
- Appuyez sur la touche Stage.
 - La programmation est maintenant lancée pour l'étape de cuisson suivante. 
 - L'affichage indique l'étape à programmer.
 - Saisissez la durée de cuisson, la température et le niveau de la puissance conformément à l'étape 4. 5 et 6.
 - Pour affecter une autre étape de cuisson à cette touche, appuyez à nouveau sur la touche Stage.
 - Vous pouvez programmer jusqu'à quatre étapes.
- Appuyez sur la touche Program Save pour enregistrer le programme et les modifications. 
- Pour ignorer les modifications, appuyez sur la touche Stop/Reset avant d'appuyer sur Program Save.

Programmation du réglage du préchauffage

En mode convection, la température du four peut être réglée entre 65°C et 250°C (150 °F et 475 °F). Il est recommandé de régler le préchauffage à la température la plus utilisée du four. Le réglage par défaut de la température est 250°C (475°F).

Pour programmer le réglage de préchauffage :

- Mettre le four en marche pour préchauffer.
- Appuyez sur la touche Program Save.
- Appuyez sur la touche Temp Entry.
- Saisissez la température à l'aide des touches numériques.
 - La température doit être saisie par incrément de -15 °C (5 °F). Si vous dépassez cette valeur, la température revient automatiquement au -15 °C (5 °F) les plus près.
- La température de préchauffage a été modifiée.



Que signifie une « cuisson par étape » ?

Une cuisson par étape permet d'utiliser différents cycles (ou étapes) de cuisson) l'un après l'autre sans l'intervention de l'utilisateur. Elle peut être réglée depuis le dégivrage des aliments en passant par leur cuisson pour l'étape finale de maintien au chaud jusqu'à ce qu'ils soient servis.

Example of Stage Cooking Conditions

	Stage 1	Stage 2	Stage 3	Stage 4
Temp	450°F	450°F	450°F	450°F
Power	100%	30%	0	50%
Time	2:30	1:30	1:30	1:00

Cuisson par convection



MISE EN GARDE

Pour éviter tout risque de brûlures, prenez toutes les précautions nécessaires lorsque vous manipulez des ustensiles, les grilles et la porte. Attendez que le four, les ustensiles et la grille aient refroidi avant de procéder au nettoyage. Le four, les ustensiles et la grille chauffent pendant le fonctionnement.

Pour utiliser le four en cuisson par convection uniquement, vous pouvez utiliser les touches préprogrammées ou effectuer une saisie manuelle. **Les instructions suivantes concernent une cuisson par convection uniquement:** Pour une cuisson mixte, consultez la section qui s'y rapporte.

Cuisson par convection

La cuisson par convection procède avec un élément de convection et un ventilateur distribuant l'air chauffé de manière uniforme dans toute la cavité du four. En circulant l'air, aucun point chaud ou froid n'est présent, créant une enveloppe à la température homogène autour des aliments. Ces températures homogènes cuisinent les aliments de manière uniforme et réduisent la durée de cuisson. Le four fonctionne toujours en mode de convection.

Cuisson par convection avec touches préprogrammées

- Appuyez sur la touche Preheat On/Off pour mettre le four en marche.
 - Le four lance le cycle de préchauffage.
 - Oven Preheating 475°F (250°C)** s'affiche.
 - Pour changer de température, voir la section *Programmation*.
- Le four atteint la température de préchauffage.
 - Ready 475°F (250°C)** s'affiche.
- Appuyez sur la touche sélectionnée, préprogrammée à 0 % pour le micro-ondes.
 - Dans le cas d'une programmation à un seul chiffre, appuyez sur la touche et le four se met automatiquement en marche.
 - Dans le cas d'une programmation à deux chiffres, appuyez sur les touches dans la séquence appropriée et le four se met automatiquement en marche.
- Le cycle de cuisson est lancé.
 - Le programme de cuisson préprogrammé, la durée totale de la cuisson, la température de la cuisson, la puissance du micro-ondes en pourcentage et l'étape en cours sont affichés.
- Le four termine la séquence de cuisson
 - Un bip est émis à la fin du cycle indiquant que le cycle de cuisson a pris fin.
 - Done** (Terminé) s'affiche.
 - L'intérieur du four et le plat de cuisson seront chauds.**
- Appuyez sur la touche Preheat On/Off pour arrêter le four.



Cuisson par convection avec cuisson manuelle

- Appuyez sur la touche Preheat On/Off pour mettre le four en marche.
 - Le four lance le cycle de préchauffage.
 - Oven Preheating 475°F (250°C)** s'affiche.
 - Pour changer la température de préchauffage, voir la section *Programmation*.
- Le four atteint la température de préchauffage.
 - Ready 475°F (250°C)** s'affiche.
- Placez les aliments dans le four.
- Appuyez sur la touche Time Entry.
 - Saisissez la durée souhaitée de la cuisson à l'aide du clavier numérique.
- Appuyez sur la touche Temp Entry lorsque la température de cuisson diffère de la température de préchauffage.
 - Saisissez la nouvelle température.
- Appuyez sur la touche Power Level.
 - Appuyez sur la touche 0 du micro-ondes (pour 0%). **0 éteint le micro-ondes et la cuisson est par convection uniquement.**
- Pour une cuisson par étape, appuyez sur la touche Stage et répétez les étapes 4, 5 et 6.
 - Vous pouvez préprogrammer 4 étapes.
- Appuyez sur la touche Start pour lancer le cycle de cuisson.



Cuisson mixte (micro-ondes et convection)



⚠ MISE EN GARDE

Pour éviter tout risque de brûlures, prenez toutes les précautions nécessaires lorsque vous manipulez des ustensiles, les grilles et la porte. Attendez que le four, les ustensiles et la grille aient refroidi avant de procéder au nettoyage. Le four, les ustensiles et la grille chauffent pendant le fonctionnement.

Pour utiliser le four en cuisson mixte, vous pouvez utiliser les touches préprogrammées ou effectuer une saisie manuelle. **Les instructions suivantes concernent une cuisson mixte uniquement** : Pour une cuisson par convection uniquement, reportez-vous à la section qui s'y rapporte.

Cuisson mixte avec touches préprogrammées

- Appuyez sur la touche Preheat On/Off pour mettre le four en marche.
 - Le four lance le cycle de préchauffage.
 - Oven Preheating 475°F (250°C)** s'affiche.
 - Pour changer de température, voir la section *Programmation*.
- Le four atteint la température de préchauffage.
 - Ready 475°F (250°C)** s'affiche.
- Appuyez sur la touche sélectionnée.
 - Dans le cas d'une programmation à un seul chiffre, appuyez sur la touche et le four se met automatiquement en marche.
 - Dans le cas d'une programmation à deux chiffres, appuyez sur les touches dans la séquence appropriée et le four se met automatiquement en marche.
- Le cycle de cuisson est lancé.
 - Le programme de cuisson préprogrammé, la durée totale de la cuisson, la température de la cuisson, la puissance du micro-ondes en pourcentage et l'étape en cours sont affichés.
- Le four termine la séquence de cuisson
 - Un bip est émis à la fin du cycle indiquant que le cycle de cuisson a pris fin.
 - Done** (Terminé) s'affiche.
 - L'intérieur du four et le plat de cuisson seront chauds.**
- Appuyez sur la touche Preheat On/Off pour arrêter le four.



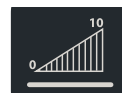
Cuisson mixte

Le mode mixte se sert de la vitesse de **l'énergie du micro-ondes** et dore les aliments par convection de manière rapide pour servir des aliments de qualité supérieure.

- La cuisson par micro-ondes se sert d'ondes d'énergie à haute fréquence pour chauffer les aliments. Pendant la cuisson, l'énergie du micro-onde déplace rapidement les molécules alimentaires. Ce mouvement rapide entre les molécules alimentaires émet de la chaleur qui cuit les aliments. Le message POWER s'affiche lorsque le four émet de l'énergie du micro-ondes pour le cycle en cours.
- La cuisson par convection utilise la température du four sélectionné pour cuire et dorer les aliments. L'air circulant enveloppe les aliments d'air chauffé uniformément.
- Le four conservera une température minimum de convection de 150°F (65°C) afin de garantir un air plus sec et une cuisson plus uniforme.

Cuisson mixte avec cuisson manuelle

- Appuyez sur la touche Preheat On/Off pour mettre le four en marche.
 - Le four lance le cycle de préchauffage.
 - Oven Preheating 475°F (250°C)** s'affiche.
 - Pour changer la température de préchauffage, voir la section *Programmation*.
- Le four atteint la température de préchauffage.
 - Ready 475°F (250°C)** s'affiche.
- Appuyez sur la touche Time Entry.
 - Saisissez la durée souhaitée de la cuisson à l'aide du clavier numérique.
- Appuyez sur la touche Temp Entry lorsque la température de cuisson diffère de la température de préchauffage.
 - Saisissez la nouvelle température.
- Appuyez sur la touche Power Level.
 - Pour une puissance plus faible du micro-ondes, appuyez sur les touches de 1 (pour 10%) jusqu'à 9 (pour 90%). **0 éteint le micro-ondes et la cuisson est par convection uniquement.**
 - Appuyez sur la touche numérique correspondant au niveau souhaité. Appuyez sur l'une des touches numériques deux fois pour remettre le niveau de la puissance à 100 %.
- Pour une cuisson par étape, appuyez sur la touche STAGE et répétez les étapes 4, 5 et 6.
 - Vous pouvez préprogrammer 4 étapes.
- Appuyez sur la touche Start pour lancer le cycle de cuisson.



Cuisson au micro-ondes (uniquement)



MISE EN GARDE

Pour éviter tout risque de brûlures, prenez toutes les précautions nécessaires lorsque vous manipulez des ustensiles, les grilles et la porte. Attendez que le four, les ustensiles et la grille aient refroidi avant de procéder au nettoyage. Le four, les ustensiles et la grille chauffent pendant le fonctionnement.

Pour utiliser le four en cuisson au micro-ondes, vous pouvez utiliser les touches préprogrammées ou effectuer une saisie manuelle. **Les instructions suivantes concernent une cuisson au micro-ondes uniquement.** Pour une cuisson par convection ou en combinaison, reportez-vous à la section qui s'y rapporte.

Remarque: L'option Microwave Only (Micro-ondes uniquement) doit être activée dans le menu Options Settings (Paramétrage des options) sous Options de l'utilisateur en page 11.

Cuisson au micro-ondes avec touches préprogrammées

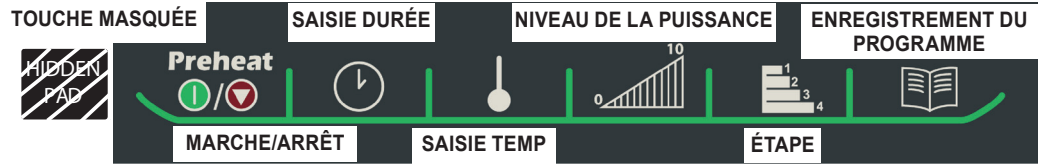
1. Placez les aliments à l'intérieur et refermez la porte.
2. Appuyez sur la touche sélectionnée.
 - Dans le cas d'une programmation à un seul chiffre, appuyez sur la touche et le four se met automatiquement en marche.
 - Dans le cas d'une programmation à deux chiffres, appuyez sur les touches dans la séquence appropriée et le four se met automatiquement en marche.
3. Le cycle de cuisson est lancé.
 - Le programme de cuisson préprogrammé, la durée totale de la cuisson, la température de la cuisson, la puissance du micro-ondes en pourcentage et l'étape en cours sont affichés.
4. Le four termine la séquence de cuisson
 - Un bip est émis à la fin du cycle indiquant que le cycle de cuisson a pris fin.
 - **Done** (Terminé) s'affiche.

Cuisson au micro-ondes avec cuisson manuelle

1. Placez les aliments à l'intérieur et refermez la porte.
2. Appuyez sur la touche Time Entry.
 - Saisissez la durée souhaitée de la cuisson à l'aide du clavier numérique.
3. Appuyez sur la touche Power Level.
 - Pour une puissance plus faible du micro-ondes, appuyez sur les touches de 1 (pour 10%) jusqu'à 9 (pour 90%).
 - Appuyez sur la touche numérique correspondant au niveau souhaité. Appuyez sur l'une des touches numériques deux fois pour remettre le niveau de la puissance à 100 %.
4. Pour une cuisson par étape, appuyez sur la touche STAGE et répétez les étapes 2 et 3.
 - Vous pouvez préprogrammer 4 étapes.
5. Appuyez sur la touche Start pour lancer le cycle de cuisson.



Options utilisateur



Vous n'aimez pas une option ?

Les réglages par défaut sont indiqués en caractères gras. Pour restaurer les réglages par défaut du four, il suffit de sélectionner l'option qui est en caractère gras.

Mes modifications n'ont pas été enregistrées.

Pour enregistrer les modifications, vous devez appuyer sur Program Save après avoir sélectionné une option. Le fait d'appuyer sur la touche Stop/Reset ne permet pas d'enregistrer les modifications.

Modification des options utilisateur

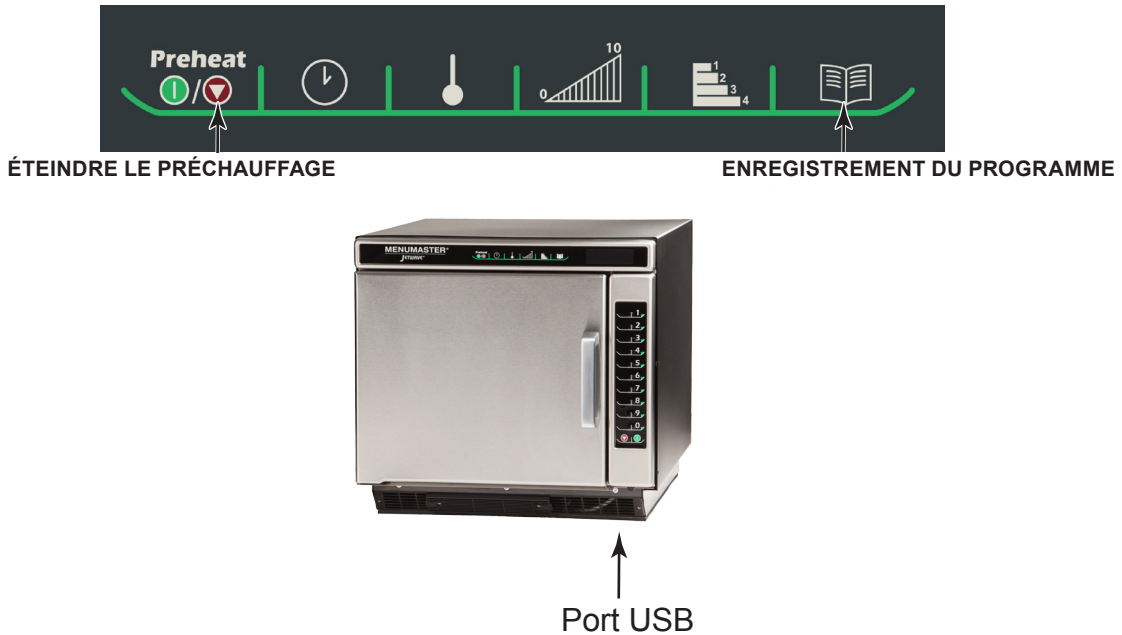
Les options, telles que la programmation avec une touche simple ou double, le volume du bip et la durée maximum de cuisson peuvent être adaptées aux préférences personnelles.

Pour modifier les options, le four doit afficher le mode STANDBY:

- Appuyez sur la touche masquée.
 - Si la touche n'est pas marquée et située à gauche de la touche Preheat On/Off.
 - L'affichage est vide lorsque vous appuyez sur la touche masquée.
- Appuyez sur la touche Program Save.
 - La première option utilisateur s'affiche. Le four est maintenant en mode options.
- Appuyez sur la touche du numéro contrôlant l'option à modifier.
 - Voir la liste des options dans le tableau ci-dessous.
 - L'option en cours s'affiche.
- Appuyez à nouveau sur la touche numérique pour change d'option.
 - L'option change à chaque fois que vous appuyez sur la touche.
 - Faites correspondre le code affiché au code de l'option souhaitée.
 - Pour changer d'autres options, répétez les étapes 3 et 4.
 - Les modifications entrent en vigueur après avoir appuyé sur une touche. Appuyez sur Program Save pour effectuer l'enregistrement.
- Appuyez sur la touche Stop/Reset pour revenir à STANDBY ou ouvrir et fermer la porte du four.

Pavés numérotés	Affichage	Options (Valeurs par défaut en caractères gras)
1 Saisie à deux chiffres	Désactivés Activé	Autorise 10 touches préprogrammées (0-9) Autorise 100 touches préprogrammées (00-99)
2 Entrée manuelle pour la	Désactivés Activé	Entrés/Cuisson manuelle non autorisées, Entrée/Cuisson manuelle autorisées.
3 Réinitialiser à l'ouverture	Désactivés Activé	L'ouverture de la porte ne réinitialise pas le four en mode Prêt, L'ouverture de la porte réinitialise le four en mode Prêt.
4 Bipclé	Bipclé ACTIVÉ Bipclé DÉSACTIVÉ	Les touches émettent de son lorsque vous appuyez dessus (bipclé activé) Les touches n'émettent pas de son lorsque vous appuyez dessus (bipclé désactivé)
5 Volume bipclé	OFF LOW MEDIUM HIGH	Volume bipclé DÉSACTIVÉ Volume bipclé FAIBLE Volume bipclé MOYEN Volume bipclé ÉLEVÉ
6 Fin du signal de cuisson	Bip continu Bip de 3 secondes Quatre bips une fois Répétition 4 bips	Le signal indiquant que les aliments sont prêts est un bip continu jusqu'à ce que l'utilisateur le réinitialise Le signal indiquant que les aliments sont prêts est un bip de trois secondes Le signal indiquant que les aliments sont prêts est un bip de quatre
7 Pavé actif	15 SECONDES 30 SECONDES 60 SECONDES TOUJOURS 120 SECONDES	L'intervalle d'entrée au pavé est de 15 secondes L'intervalle d'entrée au pavé est de 30 secondes L'intervalle d'entrée au pavé est d'une minute L'intervalle d'entrée au pavé est de deux minutes L'intervalle d'entrée au pavé est toujours actif
8 Avertissements de préchauffage	Désactivés Avertissement pour le programme uniquement Avertissement pour le préchauffage uniquement	Les deux avertissements de température sont désactivés. Avertissement uniquement lorsque la température du four ne correspond pas à la température préprogrammée. Avertissement uniquement lorsque la température du four ne correspond pas à la température de préchauffage. Les deux avertissements de température activés
TOUCHE TEMP Échelles de température	FAHRENHEIT CELSIUS	Les températures s'affichent en degrés F pour les modèles à 60 Hz. Les températures s'affichent en degrés °C pour les modèles à 50 Hz
TOUCHE POUR LA FRÉQUENCE DE NETTOYAGE DU FILTRE	Désactivé Hebdomadaire Mensuel Trimestriel	Le four ne s'affiche pas « Clean Filter » (Nettoyer le filtre) Le four s'affiche « Clean Filter » (Nettoyer le filtre) tous les sept (7) jours Le four s'affiche « Clean Filter » (Nettoyer le filtre) tous les trente (30) jours Le four s'affiche « Clean Filter » (Nettoyer le filtre) tous les quatre-vingt-dix (90) jours
TOUCHE NIVEAU PUISSANCE MICRO-ONDES UNIQUEMENT	Désactivé Activé	Le four ne fonctionnera pas en mode micro-ondes. Le four fonctionne toujours en mode micro-ondes.

Instructions d'utilisation de la clé USB



Pour programmer le four à l'aide de la clé USB:


Le four doit être en mode Standby (le préchauffage doit être éteint)

Remarque: Une clé USB standard est compatible avec le four.

1. Enlevez l'enveloppe protectrice du clavier vertical.
2. Insérez la clé USB dans le logement situé en dessous du clavier vertical.
3. Ouvrez la porte du four.
4. Appuyez et maintenez enfoncé la **touche 5** jusqu'à ce que le message USB s'affiche.
5. Pour transférer la programmation **DEPUIS** la clé USB vers le four, appuyez sur la **touche 1**. Le message « USb TO OVEN » s'affiche.

OU

Pour transférer la programmation **VERS** la clé USB depuis le four, appuyez sur la **touche 2**. Le message « OVEN TO USb » s'affiche.

6. Appuyez sur la **touche START**  du clavier vertical pour lancer le transfert.
7. Le four affiche le message LOADING pendant environ 10 secondes.
8. Lorsque le transfert est terminé, l'écran émet un bip et affiche le message Done (Terminé) ainsi que les nombres du programme mémorisé.
9. Appuyez sur n'importe quelle touche pour effacer l'affichage ou fermez la porte et l'écran revient à READY.

Codes d'erreur:

1. **NO USb:** Retirez la clé du port USB et réinsérez la clé dans le port USB et réessayez l'opération.
2. **RESET OVEN:** Débranchez le four de la prise, rebranchez le four et réessayez le transfert.

Maintenance par l'utilisateur

Codes de service

Pendant le fonctionnement, le four peut afficher un code de service. **Si cette situation se produit :**

1. Débranchez le four pendant environ 1 minute. Rebranchez le four et vérifiez si le code réapparaît.
 - Si le code ne s'affiche pas, vous pouvez utiliser le four.
2. Si le code de service réapparaît, prenez-en note et contactez le centre de service agréé ACP.
 - Ne pas utiliser le four tant que le service ACP n'a pas été contacté.

ERREUR!

Code d'erreur: 2

(exemple)

Entretien et nettoyage

Nettoyez fréquemment le four pour prolonger sa vie utile, optimiser sa performance et l'efficacité. Un four sale ne peut pas cuire efficacement puisque l'humidité, les impuretés et la graisse absorbent l'énergie du micro-ondes et de la convection.



AVERTISSEMENT

Pour éviter tout choc électrique pouvant entraîner de graves blessures voire la mort, débranchez le cordon d'alimentation ou ouvrez le disjoncteur du four avant de procéder au nettoyage du four.



MISE EN GARDE

Pour éviter tout risque de brûlures, prenez toutes les précautions nécessaires lorsque vous manipulez des ustensiles, la grille et la porte. Attendez que le four, les ustensiles et les grilles aient refroidi avant de procéder au nettoyage. Le four, les ustensiles et la grille chauffent pendant le fonctionnement.

POUR UN NOUVEAU FOUR: avant d'utiliser le four pour la première fois, pulvérisez de l'ACP Oven Shield sur une serviette mouillée imbibée et nettoyez toutes les surfaces à l'intérieur. Ne pas enlever le produit Oven Shield Oven Protectant (réf. SH10) Mettre le four en marche et préchauffez pour démarrer la cuisson.

I. Directives de nettoyage quotidien:

Fournitures recommandées pour le nettoyage : serviette mouillée, tampon à récurer en plastique, ACP Oven Cleaner (réf. CL10) et ACP Oven Shield Oven Protectant (réf. SH10). Ne pas pulvériser de nettoyeurs caustiques ni de nettoyeurs contenant de l'ammoniac, du phosphate, du chlore, d'hydroxyde de sodium ou de potassium (lessive de soude) directement sur les surfaces du four.



1. Mettez le four sur arrêt. Appuyez sur Preheat On/Off (Préchauffage Marche/ Arrêt). Attendez que le four ait refroidi et atteint la température de 95°C (200°F) ou moins (environ 10 à 15 minutes avec la porte ouverte et 45 à 60 minutes avec la porte fermée).



2. Retirez la grille et les accessoires Lavez avec de l'eau chaude savonneuse et laissez sécher à l'air tout en nettoyant l'intérieur du four. Nettoyez la pierre à pizza uniquement avec un racleur en plastique et un chiffon humide.



3. Pulvérisez l'intérieur du four. Enlevez les particules cuites à l'aide d'un racleur en plastique. Portez des gants et des lunettes de sécurité Pulvérisez la porte du four, les côtés et la surface inférieure avec le produit CL10 Oven Cleaner. Laissez tremper pendant 2 à 5 minutes.



4. Nettoyez et essuyez l'intérieur du four. Nettoyez le four avec un tampon à récurer composite. Essuyez l'intérieur du four à l'aide d'une serviette propre humide, rincez la serviette et essuyez bien. Répétez deux ou trois fois pour enlever les traces de nettoyant et les particules du four. Le cas échéant, répétez les étapes 3 et 4.



5. Pulvérisez le produit Oven Shield: Lorsque le four est propre, pulvérisez la cavité avec le produit SH10 Oven Shield et nettoyez toutes les surfaces intérieures. Remplacez la grille dans le four. Ne retirez pas Oven Shield.

6. Nettoyez les parties extérieures du four: Nettoyez l'extérieur de la porte et les autres surfaces avec un chiffon propre, une éponge ou un tampon composite avec de l'eau chaude savonneuse.

II. Nettoyage hebdomadaire, mensuel ou trimestriel: Nettoyer le filtre à air et le plateau à graisse



Le filtre et le plateau à graisse sont situés sous la porte du four. Le filtre est magnétique, retirez-le pour nettoyer et essuyer les volets environnants. Lavez le filtre avec une éponge ou un tampon composite avec de l'eau chaude savonneuse. Sortez le plateau à graisse, égouttez la graisse et nettoyez avec un chiffon propre, une éponge ou un tampon composite avec de l'eau chaude savonneuse. Rincez et séchez bien.

- Remove food from oven at end of cycle.
- Wear protective rubber gloves when cleaning oven.
- Remove baked on particles using a plastic scraper.
- Avoid spraying caustic cleaners or those containing ammonia, phosphates, chlorine, sodium or potassium hydroxide (lye) directly on oven.
- Use only accessories that are both high temperature oven-safe in the oven.
- DO NOT use a water-pressure type cleaning system.
- DO NOT cook foods contained in plastic wrap.
- DO NOT use metal foil in the oven. You may use drip tray accessory (DR10) to line oven.
- Metal pans with no more than 1 inch deep are acceptable. Assure pans do not contact oven or door surfaces during cooking.

For any questions, please refer to MSDS of oven cleaner or contact ACP, Inc. ComServ at 866-426-2621

Avant d'appeler le centre de service



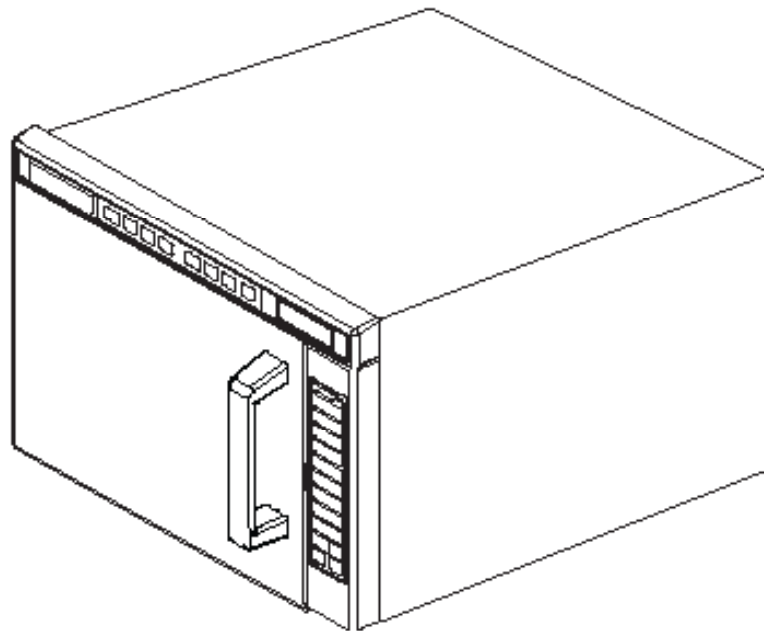
AVERTISSEMENT

Pour éviter tout choc électrique pouvant entraîner de graves blessures voire la mort, ne jamais retirer le boîtier externe. Seul un centre de service agréé est censé enlever le boîtier externe.

PROBLÈME	Cause potentielle
Le four ne fonctionne pas.	Assurez-vous que le four est branché dans un circuit dédié. Assurez-vous que le four est branché dans un circuit mis à la terre. (Contactez un électricien pour confirmer) Vérifiez le fusible ou le disjoncteur.
Le four fonctionne pas intermittence ou le message HOT s'affiche.	Vérifiez le filtre d'air et les zones d'évacuation afin de détecter tout blocage.
Si le four ne valide pas les saisies lorsqu'on appuie sur la touche.	Assurez-vous que le four est en marche et qu'il est préchauffé. Ouvrez et fermez la porte du four. Appuyez à nouveau sur la touche.
Si le four ne fonctionne pas correctement ou affiche : ERREUR! Code d'erreur: 1 (exemple)	Le contrôle du four est équipé d'un système d'autodiagnostic. Le système d'autodiagnostic vous avertit en cas d'erreur ou de problème. Lorsque le contrôle électronique signal un problème, procédez comme suit. 1. Prenez note du numéro affiché. (l'exemple de code d'erreur: 1 s'affiche) 2. Débranchez le four, attendez 1 minute et rebranchez le four. <ul style="list-style-type: none">• Il est possible que le code de service disparaisse lorsque vous coupez l'alimentation électrique. Si le problème continue, contactez un centre de service agréé.
Le ventilateur du four est mis en marche lorsque le four n'est pas en cours de préchauffage ou de cuisson.	Fonctionnement normal.

Manual del usuario

PARA USO COMERCIAL ÚNICAMENTE



Horno comercial de combinación (microondas y convección)

Conserve estas instrucciones como referencia futura. Si el equipo cambia de dueño, asegúrese de que este manual acompañe al equipo.

Índice

Identificación del modelo.....	2
Instrucciones de conexión a tierra	3
Instalación	3
Pantalla y características	4
Programación	7
Cocción por convección	8
Cocción combinada (microondas y convección) Cocción por microondas (solo microondas)	10
Opciones del usuario	11
Instrucciones de uso para el disco de llavero USB	12
Mantenimiento por el usuario	13
Códigos de servicio	13
Cuidado y limpieza	14
Antes de llamar al servicio	15

Identificación del modelo

Cuando se ponga en contacto con ACP, debe presentar la información del producto. La información del producto se encuentra en la placa del número de serie del horno.

Registre la siguiente información:

Número de modelo: _____

Número de serie o S/N: _____

Fecha de instalación: _____

Nombre y dirección del minorista: _____

Para cualquier pregunta, o para localizar un proveedor de servicios autorizado por ACP, llame a Soporte de Servicio ACP ComServ.

– **Dentro** de los Estados Unidos, o en Canadá, llame

gratis al 866-426-2621.

– **Fuera** de los Estados Unidos y del Canadá, llame al +1 319-368-8120.

– **Correo electrónico:**

Commercialservice@acpsolutions.com.

El servicio de garantía debe llevarlo a cabo un proveedor de servicios ACP autorizado. ACP recomienda también ponerse en contacto con un proveedor de servicios autorizado ACP, o con Soporte de Servicio ACP ComServ, si se requiere servicio después de que haya vencido la garantía.

Desempaque del horno

- Revise que el horno no presente daños, como por ejemplo abolladuras en la puerta o en el interior del horno.
- Informe de inmediato sobre cualquier abolladura o rotura al proveedor del horno.
No intente usar el horno si está averiado.
- Retire todos los materiales del interior del horno.
- Si el horno se ha almacenado en un lugar extremadamente frío, espere unas horas antes de conectar el suministro eléctrico.

Interferencia de radio

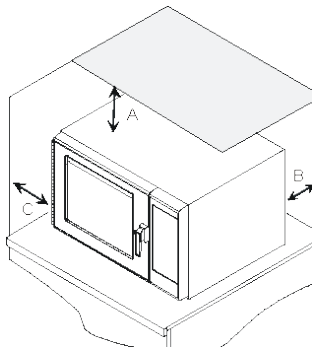
El funcionamiento del horno de microondas puede provocar interferencia en las señales de radio o televisión, o en un horno similar. Puede reducir o eliminar la interferencia de la siguiente forma:

- Limpie la puerta y las superficies de sellado del horno según las instrucciones en el capítulo *Cuidado y limpieza*.
- Ponga los receptores de radio, televisión, etc., tan lejos del horno como sea posible.
- Utilice una antena instalada apropiadamente para los receptores de radio, televisión, etc., para recibir una señal más fuerte.

Colocación del horno

- No instale el horno cerca o encima de una fuente de calor, por ejemplo un horno para pizzas o una freidora. Esto podría provocar que el horno de microondas funcione mal y acortar la vida útil de las partes eléctricas.
- No bloquee ni obstruya el filtro del horno. Deje espacio para poder limpiar el horno.
- Instale el horno en una superficie nivelada.
- Si se suministra, coloque una etiqueta de advertencia en un lugar visible cerca del horno de microondas.
- La toma debe ubicarse de manera que el enchufe sea accesible cuando el horno esté instalado.

Espacios libres alrededor del horno



- A—Para modelos en Norteamérica (UL/CSA), deje al menos 2" (5.1 cm) de espacio alrededor de la parte superior del horno. Para modelos internacionales (50 Hz), deje al menos 7" (17,8 cm) de espacio alrededor de la parte superior del horno. Un flujo de aire apropiado en derredor del horno enfría los componentes eléctricos. Con restricciones en el flujo de aire el horno no funcionará adecuadamente y se reducirá la vida útil de las partes eléctricas.
- B—Deje al menos 2 9/16" (6,5 cm) entre la descarga de aire en la parte posterior del horno y la pared posterior.
- C—Deje al menos 1 1/4" (3 cm) de espacio alrededor de los lados del horno.



ADVERTENCIA

Para evitar el riesgo de descarga eléctrica o muerte, el horno debe conectarse a tierra y no debe alterarse el enchufe.



Instrucciones para la conexión a tierra

El horno DEBE conectarse a tierra.

La conexión a tierra reduce el riesgo de descarga eléctrica mediante un cable de escape para la corriente eléctrica, en caso de que ocurra un cortocircuito. El horno está equipado con un cable de alimentación que cuenta con un cable de conexión a tierra y un enchufe con conexión a tierra. El enchufe debe conectarse en una toma apropiadamente instalada y conectada a tierra.

Consulte a un proveedor de servicio o electricista calificado si no comprende por completo las instrucciones para la conexión a tierra o en caso de dudar si el horno se encuentra debidamente conectado a tierra.

No utilice un cable de extensión.

Si el cable de alimentación eléctrica del producto es demasiado corto, haga que un electricista calificado instale una toma de tres contactos. Este horno debe conectarse a un circuito independiente con capacidad eléctrica según las especificaciones del producto. Cuando el horno de combinación está en un mismo circuito con otros equipos, puede ser necesario un mayor tiempo de cocción y pueden dispararse los fusibles.

Terminal equipotencial externo de conexión a tierra (únicamente para exportación)

El equipo tiene un terminal de conexión a tierra secundaria. El terminal ofrece una conexión a tierra externa que se usa además del terminal de puesta a tierra en la clavija. El terminal, localizado en la parte posterior externa del horno, está marcado con el símbolo que se muestra a continuación.



Pantalla y funciones



Funciones del horno

Standby (En espera) aparece en la pantalla después de que la puerta del horno se ha abierto y cerrado, o después de apagar el horno con la tecla Precalentar Encender/Apagar.

Standby
Or Press Preheat

Oven Preheating
475°F or 250°C

En la pantalla aparece Oven Preheating (Horno precalentando) y la temperatura seleccionada después de presionar la tecla Precalentar Encender/Apagar. (Ejemplo, se muestra 475°F)

Pantalla y funciones (continuación)

Ready (Listo) y la temperatura elegida aparecen después de presionar la tecla Precalentar Encender/Apagar. Ready indica que el horno ha llegado a la temperatura. (el ejemplo muestra 475°F)

Ready
475°F or 250°C

Indica que el horno está en un programa de cocción preprogramado

Item-05 Stage:1
01:23 475°F MW:50%

La información de cocción aparece en la pantalla después de presionar una tecla de un solo dígito (o doble) mientras se encuentra en Modo Ready.

Tiempo restante en el programa de cocción

Temperatura de cocción
475°F o 250°C

Porcentaje de potencia de microondas

Indica que el horno está en un programa de cocción manual

Manual Stage:1
00:15 475°F MW:100%

Tiempo restante en estado de cocción

Temperatura de cocción
475°F o 250°C

Indica el porcentaje de potencia de microondas

El horno indica que está en modo Solo microondas antes de la selección

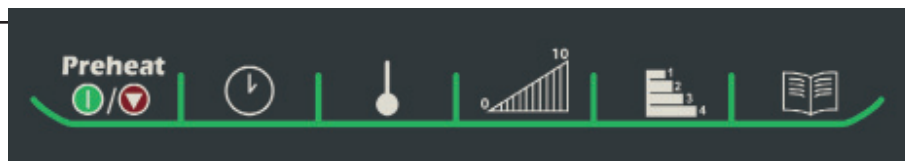
Item-05 Stage:1
01:23 MW:50%

La información de cocción aparece en la pantalla después de presionar una tecla de un sólo dígito (o doble) mientras se encuentra en Modo Listo.

Tiempo restante en el programa de cocción

Porcentaje de potencia de microondas

Pantalla y funciones (continuación)



Pantalla de cocción

 **Tecla Comenzar**
La tecla Comenzar se utiliza para comenzar un ciclo de cocción de ingreso de tiempo manual.

 **Tecla Parar/ Reiniciar**
La tecla Parar/ Reiniciar detiene una secuencia de cocción en progreso, borra cualquier tiempo restante y termina además una programación o un ciclo de opción del usuario. Cuando la tecla Parar/Reiniciar se utiliza para terminar una programación, o para un cambio de opción, los cambios se descartan.

Advertencias de temperatura

El horno de combinación tiene dos advertencias diferentes de temperatura. Las advertencias suenan con una señal de tres bips cuando se presiona una tecla programada. Las advertencias son:

- Una advertencia cuando la temperatura de precalentamiento no se ajusta a la temperatura preprogramada de una condición de cocción.
- Una advertencia cuando la temperatura real de la cavidad del horno no es la temperatura de precalentamiento, como cuando el horno se enciende por primera vez.

Para anular la advertencia y comenzar un ciclo de cocción, presione la tecla Comenzar. Para apagar las advertencias, ver el capítulo *Opciones del usuario*.

PANTALLAS	DESCRIPCIÓN
OVEN PREHEATING 475°F	Aparece Oven Preheating 475°F or 250°C cuando el horno se enciende y se está calentando hasta la temperatura de precalentamiento seleccionada. Oven Preheating (Precalentamiento del horno) también aparece intermitentemente cuando puede comenzarse o programarse una condición de cocción.
READY 475°F	Ready 475°F or 250SDgrC (Listo 475°F o 250SDgrC) aparece cuando el horno ha alcanzado la temperatura de precalentamiento y está listo para cocinar. Ready también aparece intermitentemente cuando puede comenzarse o programarse una condición de cocción. Nota: El horno se apagará después de 2 horas de inactividad..
00:00	Muestra el tiempo de cocción Si está programada la cocción por etapas, se muestra el tiempo total de cocción.
MW 50%	MW 50% muestra el nivel de potencia actual de microondas. 100% es la posición más alta, y 0% es la más baja (no se utiliza energía de microondas).
ÍTEM-05	ITEM-05 muestra la entrada de una o dos cifras de una condición programada de cocción cuando se usa una tecla programada.
ETAPA 1	Stage 1 aparece para mostrar el número de la etapa (de 1 a 4) en la que se encuentra el horno en condición de cocción.
STANDBY	STANDBY aparece en la pantalla cuando se apaga el horno, y también después de conectar el horno, se abre la puerta y después se cierra.

Pantalla de Programación

PANTALLAS	DESCRIPCIÓN
Enter Program to Add/Review:	Aparece cuando el horno está en modo de programación para memoria de una o dos cifras.
STAGE 1	Muestra el número de etapa durante la cocción, o cuando se programa una etapa de cocción específica. El número de etapa (de 1 a 4) indica la etapa que se está utilizando.

Pantalla de USB

MUESTRA	DESCRIPCIÓN
USB	Aparece cuando se oprime y mantiene oprimida la tecla 5, y está lista una transferencia de o a la unidad de memoria flash USB.

Teclas de programación

El horno se envía de fábrica para programación con un solo número. Para cambiar el estado predeterminado del horno a programación de doble número, vea la sección *Opciones del usuario*. Para programar la cantidad de tiempo, nivel de energía o ajuste de temperatura de una tecla:

- El horno debe estar ENCENDIDO.
 - Presione la tecla Precalentar Encender/Apagar.
 - Oven Preheating 475°F or 250°C** aparece en la pantalla con **Oven Preheating** parpadeando.
- El horno alcanza la temperatura de precalentamiento.
 - Ready 475°F or 250°C** aparece en la pantalla con **Ready** parpadeando.
 - Presione la tecla Guardar programa.
 - Comienza el modo programación.
 - Enter Program to Add/Review:** (Entrar programa a agregar/revisar) aparece en la pantalla.
- Presione la tecla que va a programar o reprogramar.
 - La pantalla cambiará para revisar todos los ajustes para la tecla.
 - El número de tecla que se está programando aparece junto a la palabra **ITEM**.
- Presione la tecla Seleccionar Tiempo para programar la cantidad de tiempo de cocción.
 - Ingrese el tiempo de cocción deseado, utilizando las teclas numéricas.
 - La cantidad total de tiempo de cocción con microondas (todas las etapas combinadas) es de 20 minutos.
- Presione la tecla Seleccionar Temperatura para programar la temperatura de cocción.
 - Ingrese la temperatura de convección deseada utilizando las teclas numéricas.
- Presione la tecla Nivel de potencia para programar el nivel de potencia de microondas.
 - Para una potencia de microondas menor, presione las teclas 1 (para 10%) a 9 (para 90%). **0 apaga la potencia de microondas, y la cocción es únicamente por convección.**
 - Presione cualquier tecla numérica dos veces para devolver el nivel de potencia a 100%.
- Presione la tecla Guardar programa para guardar los cambios en el programa.
- Para descartar los cambios, presione la tecla Parar/Reiniciar.



Programación de los Ajustes de Precalentamiento

La temperatura de convección puede ajustarse entre 150°F a 475°F (65°C a 250°C). Se recomienda ajustar el precalentamiento a la temperatura más comúnmente utilizada para ese horno. El ajuste de precalentamiento de fábrica es 475°F (250°C).

Para programar los ajustes de precalentamiento:

- Encienda el horno para seleccionar precalentamiento.
- Presione la tecla Guardar Programa.
- Presione la tecla Seleccionar Temperatura.
- Ingrese la temperatura deseada utilizando las teclas numéricas.
 - La temperatura debe ingresarse en incrementos de 5°F (5°C). Si no, la temperatura se cambiará automáticamente al múltiplo más cercano de 5°F (5°C).
- Se cambió la temperatura de



¿Qué es la cocción por etapas?

La cocción por etapas permite utilizar de forma consecutiva diferentes ciclos de cocción, o etapas, sin una participación repetida del usuario. Puede establecerse la cocción por etapas para inicialmente descongelar los alimentos, luego cocinarlos, y mantener después los alimentos calientes hasta el momento de servirlos.

Ejemplo de las condiciones de la cocción por etapas

	Etapas 1	Etapas 2	Etapas 3	Etapas 4
Temperatura	230 °C (450 °F)	230 °C (450 °F)	230 °C (450 °F)	230 °C (450 °F)
Potencia	100%	30%	0	50%
Tiempo	2:30	1:30	1:30	1:00

Programación de múltiples etapas

La cocción por etapas permite ciclos de cocción consecutivos, sin interrupción. Se pueden programar hasta cuatro ciclos de cocción diferentes en una tecla de memoria.

Para usar la cocción por etapas:

- Siga los pasos 1 a 6 anteriores.
- Presione la tecla Etapa.
 - Esto comenzará a programar la siguiente etapa de cocción.
 - La pantalla indica la etapa que se va a programar.
 - Ingrese el tiempo de cocción, la temperatura y el nivel de potencia, como en los pasos 4, 5 y 6.
 - Para ingresar otra etapa de cocción para esa tecla, presione nuevamente la tecla Etapa.
 - Pueden programarse hasta 4 etapas diferentes.
- Presione la tecla Guardar programa para guardar el programa y los cambios.
- Para descartar los cambios, presione Parar/Reiniciar antes de presionar la tecla Guardar programa.



Cocción de convección



PRECAUCIÓN

Para evitar el riesgo de quemaduras, manipule los utensilios, la bandeja y la puerta con cuidado. Permita que el horno, los utensilios y la bandeja se enfríen antes de limpiarlos. El horno, los utensilios y la bandeja se calientan durante la operación.

Para operar el horno para cocción de convección únicamente, usted puede utilizar teclas preprogramadas, o ingreso de tiempo manual. **Las siguientes instrucciones son únicamente para cocción de convección:** Para cocción de combinación vea esa sección.

Cocción de convección

La cocción de convección utiliza tanto un elemento de convección como un ventilador para distribuir el aire caliente de manera homogénea en toda la cavidad del horno. Mediante la circulación del aire, no ocurren puntos calientes o fríos, lo que crea una temperatura consistente alrededor de los alimentos. Estas temperaturas consistentes cocinan los alimentos de manera homogénea y reducen el tiempo de cocción. El horno siempre operará en modo de convección.

Cocción de Convección con Teclas Programadas

1. Presione la tecla Precaentar Encender/Apagar para encender el horno.
 - El horno comienza un ciclo de precalentamiento.
 - **Oven Preheating 475°F (250°C)** aparece en la pantalla.
 - Para cambiar la temperatura de precalentamiento, ver *Programación*.
2. El horno alcanza la temperatura de precalentamiento.
 - Aparece en la pantalla **Ready 475°F (250°C)**.
3. Presione la tecla seleccionada, preprogramada para 0% de microondas.
 - Si utiliza programación de cifra única, presione la tecla y el horno comienza automáticamente.
 - Para programación de dos cifras, presione las teclas en la secuencia apropiada y el horno comienza automáticamente.
4. Comienza el ciclo de cocción
 - Se muestran el programa de cocción preprogramada, el tiempo total de cocción, la temperatura de cocción, el porcentaje de potencia de microondas y la etapa.
5. El horno termina la secuencia de cocción
 - Un bip de terminación de ciclo señala el final del ciclo de cocción.
 - **Done** (Terminado) aparece en la pantalla.
 - **El interior del horno y el plato de cocción estarán calientes.**
6. Presione la tecla Precaentar Encender/Apagar para apagar el horno.



Cocción de Convección Utilizando Operación de Cocción Manual

1. Presione la tecla Precaentar Encender/Apagar para encender el horno.
 - El horno comienza un ciclo de precalentamiento.
 - **Oven Preheating 475°F (250°C)** aparece en la pantalla.
 - Para cambiar la temperatura del precalentamiento, ver *Programación*.
2. El horno alcanza la temperatura de precalentamiento.
 - Aparece en la pantalla **Ready 475°F (250°C)**.
3. Coloque los alimentos en el horno.
4. Presione la tecla Seleccionar Tiempo.
 - Ingrese el tiempo de cocción deseado utilizando las teclas numéricas.
5. Presione la tecla Seleccionar Temperatura, si la temperatura de cocción difiere de la temperatura de precalentamiento.
 - Ingrese la nueva temperatura.
6.
 - Presione la tecla Nivel de Potencia.
 - Presione la tecla 0 (por 0%) de microondas. **0 apaga la potencia del microondas y la cocción es únicamente por convección.**
7. Si se desea cocción por etapas, presione la tecla Etapa y repita los pasos 4, 5, y 6.
 - Pueden programarse hasta 4 etapas diferentes.
8. Presione la tecla Iniciar para comenzar el ciclo de cocción.



Cocción de combinación (microondas y convección)



PRECAUCIÓN

Para evitar el riesgo de quemaduras, manipule los utensilios, la bandeja y la puerta con cuidado. Permita que el horno, los utensilios y la bandeja se enfríen antes de limpiarlos. El horno, los utensilios y la bandeja se calientan durante la operación.

Para operar el horno para cocción de combinación, usted puede utilizar teclas preprogramadas o ingreso de tiempo manual. **Las siguientes instrucciones son únicamente para cocción de combinación:** Para cocción únicamente con convección, vea esa sección.

Cocción de Combinación con Teclas Preprogramadas

- Presione la tecla Precaentar Encender/Apagar para encender el horno.
 - El horno comienza un ciclo de precalentamiento.
 - Oven Preheating 475°F (250°C)** aparece en la pantalla.
 - Para cambiar la temperatura de precalentamiento, ver *Programación*.
- El horno alcanza la temperatura de precalentamiento.
 - Aparece en la pantalla **Ready 475°F (250°C)**.
- Presione la tecla seleccionada.
 - Si utiliza programación de cifra única, presione la tecla y el horno comienza automáticamente.
 - Para programación de dos cifras, presione las teclas en la secuencia apropiada y el horno comienza automáticamente.
- Comienza el ciclo de cocción
 - Se muestran el programa de cocción preprogramada, el tiempo total de cocción, la temperatura de cocción, el porcentaje de potencia de microondas y la etapa.
- El horno termina la secuencia de cocción
 - Un bip de terminación de ciclo señala el final del ciclo de cocción.
 - Terminado** aparece en la pantalla.
 - El interior del horno y el plato de cocción estarán calientes.**
- Presione la tecla Precaentar Encender/Apagar para apagar el horno.



Cocción de combinación

El modo de combinación utiliza tanto la velocidad de la **energía de microondas**, como el dorado de la cocción de **convección** para producir alimentos rápidos, de alta calidad.

- La cocción de microondas utiliza ondas de energía de alta frecuencia para calentar los alimentos. Al cocinar, la energía de microondas hace que las moléculas de los alimentos se muevan rápidamente. Este movimiento rápido entre las moléculas de los alimentos crea calor, lo que cocina los alimentos. POWER (POTENCIA) aparece en la pantalla cuando el horno está generando energía de microondas para el ciclo actual.

Cocción de Combinación Utilizando Operación de Cocción Manual

- Presione la tecla Precaentar Encender/Apagar para encender el horno.
 - El horno comienza un ciclo de precalentamiento.
 - Oven Preheating 475°F (250°C)** aparece en la pantalla.
 - Para cambiar la temperatura del precalentamiento, ver *Programación*.
- El horno alcanza la temperatura de precalentamiento.
 - Aparece en la pantalla **Ready 475°F (250°C)**.
- Presione la tecla Seleccionar tiempo.
 - Ingrese el tiempo de cocción deseado utilizando las teclas numéricas.
- Presione la tecla Seleccionar Temperatura, si la temperatura de cocción difiere de la temperatura de precalentamiento.
 - Ingrese la nueva temperatura.
- Presione la tecla Nivel de Potencia.
 - Para una potencia de microondas menor, presione las teclas 1 (para 10%) a 9 (para 90%). **0 apaga la potencia de microondas y la cocción es únicamente por convección.**
 - Presione la tecla numérica correspondiente al nivel deseado. Presione cualquier tecla numérica dos veces para devolver el nivel de potencia a 100%.
- Si se desea cocción por etapas, presione la tecla Etapa y repita los pasos 4, 5, y 6.
 - Pueden programarse hasta 4 etapas diferentes.
- Presione la tecla Iniciar para comenzar el ciclo de cocción.



- La cocción de convección utiliza la temperatura del horno seleccionada para hornear y dorar los alimentos. El aire circulante rodea los alimentos en una envoltura de aire calentado de manera homogénea.
- El horno mantendrá una temperatura mínima de convección de 150°F (65°C) para garantizar un aire más seco y una cocción más homogénea.

Cocción por microondas (solo microondas)



PRECAUCIÓN

Para evitar el riesgo de quemaduras, manipule los utensilios, la bandeja y la puerta con cuidado. Permita que el horno, los utensilios y la bandeja se enfríen antes de limpiarlos. El horno, los utensilios y la bandeja se calientan durante la operación.

Para operar el horno para cocción de microondas, puede utilizar teclas preprogramadas o selección manual del tiempo. **Las instrucciones que siguen son solo para cocción de microondas:** Para cocción únicamente con convección o de combinación, vea esa sección.

Nota: La opción de Solo microondas se debe habilitar en Opciones del usuario, Ajuste de opciones, página 11.

Cocción de microondas con teclas preprogramadas

1. Coloque los alimentos dentro del horno y cierre la puerta.
2. Presione la tecla seleccionada.
 - Si utiliza programación de cifra única, presione la tecla y el horno comienza automáticamente.
 - Para programación de dos cifras, presione las teclas en la secuencia apropiada y el horno comienza automáticamente.
3. Comienza el ciclo de cocción
 - Se muestran el programa de cocción preprogramada, el tiempo total de cocción, la temperatura de cocción, el porcentaje de potencia de microondas y la etapa.
4. El horno termina la secuencia de cocción
 - Un bip de terminación de ciclo señala el final del ciclo de cocción.
 - **Terminado** aparece en la pantalla.

Cocción de microondas utilizando operación en cocción manual

1. Coloque los alimentos dentro del horno y cierre la puerta.
2. Presione la tecla Seleccionar tiempo.
 - Ingrese el tiempo de cocción deseado utilizando las teclas numéricas.
3. Presione la tecla Nivel de Potencia.
 - Para una potencia de microondas menor, presione las teclas 1 (para 10%) a 9 (para 90%).
 - Presione la tecla numérica correspondiente al nivel deseado. Presione cualquier tecla numérica dos veces para devolver el nivel de potencia a 100%.
4. Si se desea cocción por etapas, presione la tecla Etapa y repita los pasos 3, 2, y 3.
 - Pueden programarse hasta 4 etapas diferentes.
5. Presione la tecla Iniciar para comenzar el ciclo de cocción.



Opciones del usuario



¿No le gustó una opción?

Los ajustes de fábrica se señalan con negritas. Para devolver el horno a los valores de fábrica, simplemente seleccione la opción marcada en negritas.



Mis cambios no se guardaron.

Para que se guarde cualquier cambio, debe presionarse la tecla Guardar Programa después de seleccionar una opción. Presionar la tecla Parar/Reiniciar no guarda cambios.

Cambio de las opciones del usuario

Pueden cambiarse opciones tales como la programación de una cifra o de dos cifras, el volumen del bip y el tiempo máximo de cocción para que se ajusten a las preferencias individuales.

Para cambiar las opciones, debe aparecer en la pantalla STANDBY (EN ESPERA):

1. Presione la tecla oculta.
 - La tecla no está marcada y está ubicada a la izquierda de la tecla Precalentar Encender/Apagar.
 - No se mostrará nada en la pantalla cuando se presione la tecla oculta.
2. Presione la tecla Guardar Programa.
 - Se mostrará en la pantalla la primera opción del usuario. El horno se encuentra ahora en modo opciones.
3. Oprima la tecla de número que controla la opción a ser modificada.
 - Vea las opciones en la siguiente tabla.
 - Se muestra la opción actual.
4. Oprima de nuevo la tecla de número para modificar la opción.
 - Cada vez que se presiona la tecla, se cambiará de opción.
 - Haga concordar el código mostrado con el de la opción deseada.
 - Para cambiar más opciones, repita los pasos 3 y 4.
 - Los cambios hacen efecto después de presionar la tecla. Presione Guardar Programa para guardar.
5. Presione la tecla Parar/Reiniciar para regresar a STANDBY (EN ESPERA), o abra y cierre la puerta del horno.

(ajustes de fábrica en negritas)

Las preprogramadas (0-9).

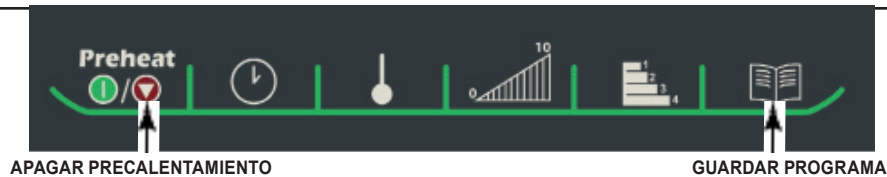
Teclas preprogramadas (00-99).

Programar manualmente el tiempo/la cocción
Programar manualmente el tiempo/la cocción

El horno no lo reinicia al modo Listo
El horno lo reinicia al modo Listo

El bip suena cuando se presionan (bip de teclas activado)
El bip no suena cuando se presionan (bip de teclas desactivado)


Instrucciones de uso para el disco de llavero USB



Puerto USB

Para programar el horno utilizando la memoria Flash para USB: El horno debe estar en modo en Espera (Precalentar debe estar APAGADO)

Nota: Una unidad de memoria Flash USB estándar será compatible con el horno.

1. Retire la cubierta protectora de la parte interior del teclado vertical.
2. Inserte la memoria Flash USB en la ranura ubicada debajo del teclado vertical.
3. Abra la puerta del horno.
4. Oprima y mantenga oprimida la **tecla 5** hasta que aparezca USB en la pantalla.
5. Para transferir una programación **DESDE** la memoria flash USB al horno, presione la **tecla 1**. En la pantalla aparecerá "USb TO OVEN"
- 0 Para transferir una programación **A** la memoria flash USB desde el horno, presione la **tecla 2**. En la pantalla aparecerá "OVEN TO USb".
6. Presione la **tecla INICIO** , en el teclado vertical, para comenzar la transferencia.
7. En la pantalla del horno aparece "LOADING" (Cargando) durante aproximadamente 10 segundos.
8. Una vez terminada la transferencia, se oye un bip de la pantalla y aparece "Done" y el número de los programas guardados.
9. Presione cualquier tecla para borrar la pantalla o cierre la puerta; en la pantalla aparecerá "READY" (Listo).

Códigos de error:

1. **NO USb:** (No hay USB). Quite la unidad de memoria del puerto USB, vuelva a insertarla en el puerto USB y vuelva a intentar.
2. **RESET OVEN:** (Restablecer el horno). Desenchufe el horno de la toma y vuelva a intentar la transferencia.

Mantenimiento por el usuario

Códigos de servicio

Durante la operación, el horno puede mostrar en la pantalla un código de servicio. **En caso de que esto ocurra:**

1. Desconecte el horno y déjelo desconectado por aproximadamente un minuto. Conecte el horno y vea si el código vuelve a aparecer.
 - Si el código no vuelve a aparecer, continúe el uso normal.
2. Si el código de servicio vuelve a aparecer, escriba el código de servicio que aparece en la pantalla y póngase en contacto con el proveedor del servicio autorizado ACP.
 - No utilice el horno hasta haberse puesto en contacto con el proveedor del servicio ACP.

ERROR!
Error Code: 2
(ejemplo)

Cuidado y limpieza

Limpie el horno con frecuencia para maximizar la vida del horno, su desempeño y su eficiencia. Un horno sucio cocina de manera ineficiente, porque la humedad, los derrames y la grasa absorben energía de convección y de microondas.



ADVERTENCIA

Para evitar una descarga eléctrica que puede causar graves lesiones o la muerte, desconecte el cable de alimentación, o abra el cortocircuitos del horno antes de limpiarlo.



PRECAUCIÓN

Para evitar quemaduras, manipule los utensilios, la bandeja y la puerta con cuidado. Permita que el horno, los utensilios y la bandeja se enfríen antes de limpiarlos. El horno, los utensilios y la bandeja se calientan durante la operación.

PARA UN HORNO NUEVO: antes de utilizarlo por primera vez, rocíe una toalla húmeda con ACP Oven Shield y frote todas las superficies interiores. No retire el protector para hornos Oven Shield (Ítem# SH10). Encienda el horno y precaliéntelo para comenzar a cocinar.

I. Recomendaciones para la limpieza diaria:

Artículos de limpieza recomendados: toalla húmeda, estropajo plástico, limpiador para hornos Oven Cleaner ACP (artículo # CL10) y protector para hornos ACP Oven Shield Oven Protectant (Ítem# SH10). Evite rociar limpiadores cáusticos o que contengan amoníaco, fosfatos, cloro, sodio o hidróxido de potasio (lejía), directamente sobre las superficies del horno.



1. Apague el horno Presione la tecla Precalear Encendido Apagado. Permita que el horno se enfríe hasta 200°F (95°C) o menos (aproximadamente 10-15 minutos con la puerta abierta y 45-60 minutos con la puerta cerrada).



2. Retire la bandeja y los accesorios. Lávelos con agua tibia jabonosa y deje que se sequen al aire mientras limpia el interior del horno. Limpie la piedra para pizza utilizando una esponjilla plástica y un trapo húmedo únicamente.



3. Rocíe el interior del horno. Quite las partículas acumuladas usando una espátula plástica. Utilice guantes y gafas de seguridad. Rocíe la puerta del horno, los lados y el piso con limpiador para hornos CL10 Oven Cleaner. Deje remojar por 2-5 minutos.



4. Limpie y proteja el interior del horno. Limpie el horno utilizando una esponjilla compuesta. Frote el interior del horno utilizando una toalla limpia y húmeda, enjuague la toalla y escúrrala. Repita 2-3 veces para remover el resto del limpiador de hornos y las partículas del horno. Si es necesario, repita los pasos 3 y 4.



5. Rocíe Oven Shield: Cuando el horno esté limpio, rocíe el interior con SH10 Oven Shield y frote todas las superficies interiores. Vuelva a colocar la bandeja en el horno. No quite el Oven Shield.

6. Limpie el exterior del horno: Limpie la puerta exterior y otras superficies con un trapo limpio, una esponja o una esponjilla y agua tibia jabonosa.

II. Limpieza semanal, mensual o trimestral: limpie el filtro de aire y la bandeja para grasa



El filtro y la bandeja para grasa están ubicados debajo de la puerta del horno. El filtro es magnético; saque el filtro para limpiarlo y limpie las persianas que lo rodean. Lave el filtro utilizando una esponja o una esponjilla compuesta y agua tibia jabonosa. Extraiga la bandeja para grasa, vacíe la grasa y limpie con una esponja o una esponjilla compuesta y agua tibia jabonosa. Enjuague y seque completamente.

- Retire la comida del horno al final del ciclo.
- Lleve guantes de protección de látex cuando limpie el horno.
- Quite las partículas acumuladas usando una espátula plástica.
- Evite rociar limpiadores cáusticos o que contengan amoníaco, fosfatos, cloro, sodio o hidróxido de potasio (lejía), directamente sobre las superficies del horno.
- Utilice únicamente accesorios que sean seguros para hornos de alta temperatura y microondas.
- NO utilice un sistema de limpieza con agua a presión.
- NO cocine alimentos envueltos en plástico.
- NO utilice papel metálico en el horno. Puede utilizar la bandeja de goteo (DR10) en el horno.
- Se pueden utilizar bandejas metálicas de no más de 1 pulgada (2,5 cm) de profundidad. Asegúrese de que las bandejas no estén en contacto con las superficies del horno o de la puerta durante la cocción.

Si tiene alguna pregunta, por favor remítase a la hoja de seguridad (MSDS) del producto limpiador de hornos, o póngase en contacto con ACP, Inc. ComServ en el +1-866-426-2621.

Antes de llamar al servicio



ADVERTENCIA

Para evitar choques eléctricos que pudiesen provocar lesiones personales severas o la muerte, no retire nunca el gabinete exterior. Únicamente el personal debidamente autorizado podrá retirar el gabinete exterior.

PROBLEMA	Posible Causa
El horno no funciona.	<p>Confirme que el horno está conectado a un circuito dedicado.</p> <p>Confirme que el horno esté conectado a un circuito a tierra. (Póngase en contacto con un electricista para confirmarlo)</p> <p>Revise el fusible o el corta-circuitos.</p>
El horno funciona de manera intermitente o aparece CALIENTE en la pantalla.	<p>Revise el filtro de aire y las áreas de descarga en busca de obstrucciones.</p>
Si el horno no acepta ingresos cuando la tecla se presiona.	<p>Verifique que el horno esté encendido y precalentado.</p> <p>Abra y cierre la puerta del horno. Presione nuevamente la tecla.</p>
Si el horno funciona mal, o si muestra: ERROR! Error Code: 1 (ejemplo)	<p>El control del horno está equipado con un sistema de autodiagnóstico. El sistema de autodiagnóstico lo alerta si existe algún error o problema. Cuando el control electrónico señala un problema, siga los pasos que se enumeran a continuación.</p> <ol style="list-style-type: none"> 1. Registre el número que se muestra. (Se muestra el ejemplo de Código de error: 1) 2. Desconecte el horno, espere un minuto y vuelva a conectarlo. <ul style="list-style-type: none"> • Desconectar el suministro eléctrico puede eliminar el código de servicio. Si la falla continúa, póngase en contacto con un proveedor de servicio autorizado.
El ventilador del horno gira mientras el horno no está precalentando ni cocinando.	<p>Operación normal.</p>